



US006447116B1

(12) **United States Patent**
Chao

(10) **Patent No.:** **US 6,447,116 B1**
(45) **Date of Patent:** **Sep. 10, 2002**

(54) **FOLDING EYEGLASSES**
(75) Inventor: **David Chao**, Los Altos, CA (US)
(73) Assignee: **Contour Optik, Inc.**, Chiayi (TW)
(*) Notice: Subject to any disclaimer, the term of this patent is extended or adjusted under 35 U.S.C. 154(b) by 0 days.

(21) Appl. No.: **09/776,614**

(22) Filed: **Feb. 2, 2001**

Related U.S. Application Data

(63) Continuation-in-part of application No. 09/607,265, filed on Jun. 30, 2000, now Pat. No. 6,270,274, and a continuation-in-part of application No. 09/625,748, filed on Jul. 26, 2000, now Pat. No. 6,305,799.
(51) **Int. Cl.**⁷ **G02C 5/08; G02C 5/14**
(52) **U.S. Cl.** **351/63; 351/123**
(58) **Field of Search** **351/63, 41, 123, 351/158**

2,624,011 A	12/1952	Stern	206/6
2,732,061 A	1/1956	Wilcox	206/6
2,746,347 A	5/1956	Gaire	206/537
2,772,772 A	12/1956	Taylor	206/6
2,809,766 A	10/1957	Anderson	206/6
3,036,699 A	5/1962	Huber	206/16.5
3,038,593 A	6/1962	Root et al.	206/537
3,267,980 A	8/1966	Bird	351/63
3,323,638 A	6/1967	Dishart	206/537
3,768,634 A	10/1973	Creevy	206/6
4,075,702 A	2/1978	Davies	364/705
4,296,945 A	10/1981	Pavlik	381/1
4,336,882 A	6/1982	Sakwa	206/537
4,478,330 A	10/1984	Lin	206/6
D286,270 S	10/1986	Huang	D10/86
4,887,896 A	12/1989	Akagi	351/63
5,028,126 A	* 7/1991	Takeuchi	351/63
5,186,326 A	2/1993	Peckels et al.	206/537
D352,734 S	11/1994	Davis et al.	D9/36
D358,606 S	5/1995	Davis et al.	D19/36
5,423,419 A	6/1995	Wentz et al.	206/6
5,448,317 A	9/1995	Huang	206/537
5,615,765 A	* 4/1997	Roericht	206/45.23
5,775,488 A	7/1998	Vaught	206/6
5,878,873 A	3/1999	Clark	206/6

(List continued on next page.)

(56) **References Cited**

U.S. PATENT DOCUMENTS

410,798 A	10/1889	Long	206/6
494,624 A	4/1893	Brigg	206/537
990,352 A	4/1911	Grell	351/63
1,472,350 A	10/1923	Albanese	206/537
1,549,501 A	8/1925	Patrick	206/537
1,737,064 A	12/1929	Esterow	206/537
1,784,169 A	12/1930	Baumgartner	206/537
1,825,906 A	10/1931	Jeanneret	206/537
1,957,157 A	5/1934	Bosch	206/537
1,995,664 A	3/1935	Boyes	206/6
D101,073 S	9/1936	Tamis	D19/36
2,060,406 A	11/1936	Tiede	206/6
D106,074 S	9/1937	Wewetzer	D19/36
D129,896 S	10/1941	Cohen	D19/36
2,479,472 A	8/1949	Coplon	706/6
2,553,257 A	5/1951	Honeyman	206/537
2,567,564 A	9/1951	Ingraham	351/63
2,622,729 A	12/1952	Uttz	206/537

FOREIGN PATENT DOCUMENTS

JP 02000131651 A * 5/2000 51/63

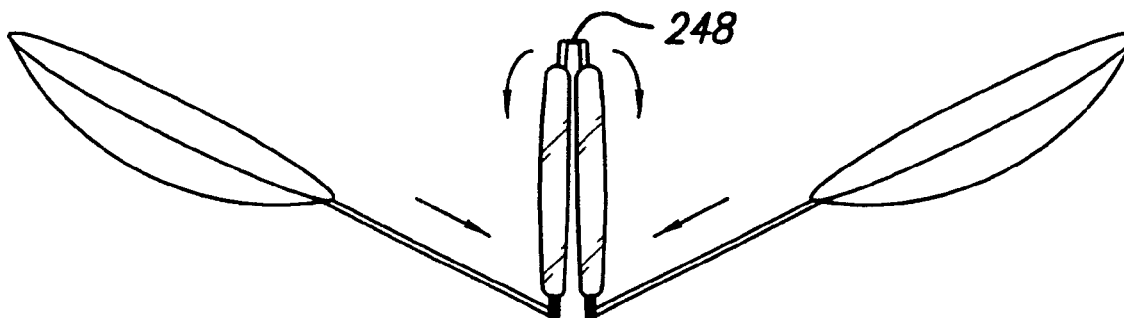
* cited by examiner

Primary Examiner—Huy Mai
(74) *Attorney, Agent, or Firm*—Dreier & Baritz LLP

(57) **ABSTRACT**

The present invention is directed to multipurpose containers in which a variety of items can be stored, such as eyeglasses writing instruments, pills, medicines, thermometers, rulers, note pads, to name a few of the nearly limitless number of items that can be stored. The containers may be provided with writing implements or gauges to measure a parameter, such as a timepiece, or a computational device, such as a calculator.

11 Claims, 32 Drawing Sheets



US 6,447,116 B1

Page 2

U.S. PATENT DOCUMENTS

5,929,967	A	7/1999	Conner	351/158	D429,271	S	*	8/2000	Jaatinen	D16/314
5,949,515	A	9/1999	Hoshino	206/6	6,102,541	A	*	8/2000	Kuo	351/63
6,017,119	A	* 1/2000	Huang	351/63	6,145,986	A		11/2000	Conner	351/158
D423,555	S	4/2000	Conner	206/6	D435,059	S		12/2000	Conner	206/6

* cited by examiner

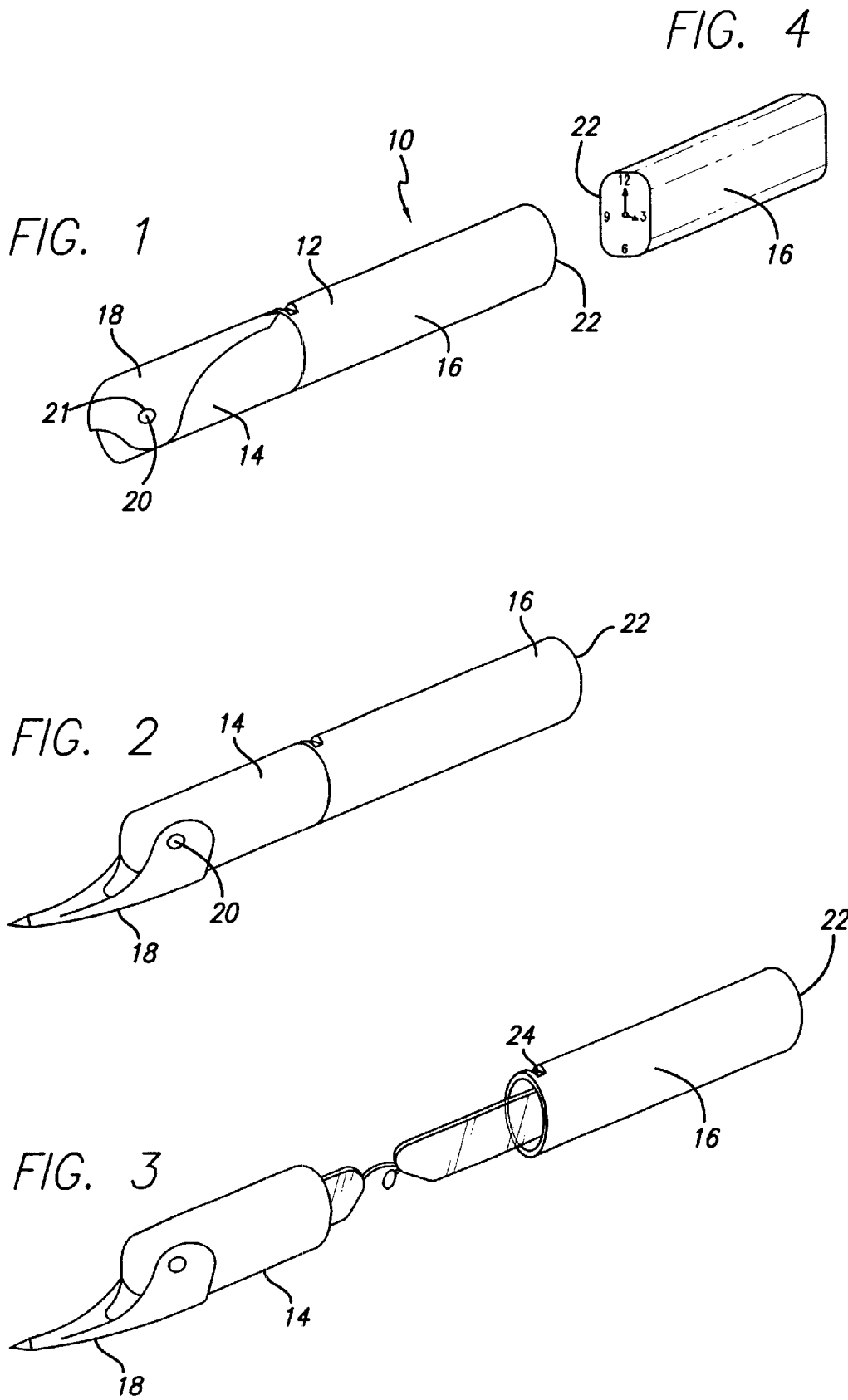


FIG. 7

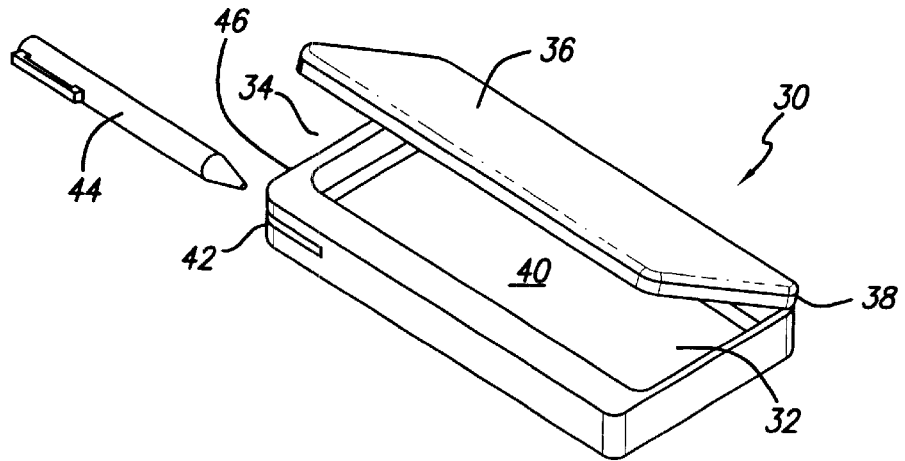


FIG. 6

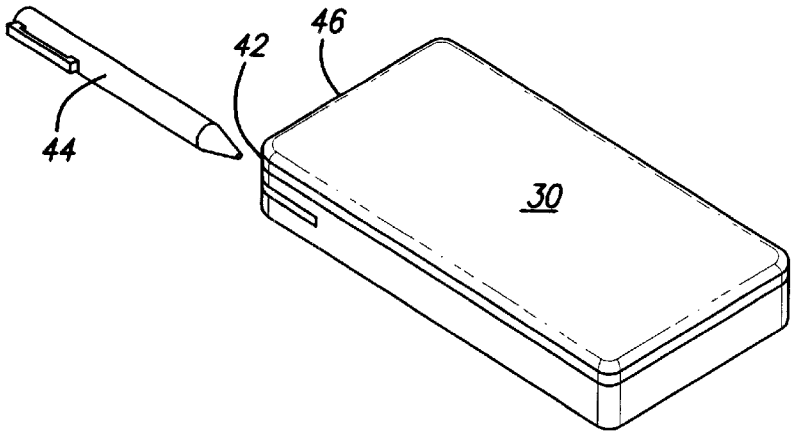


FIG. 5

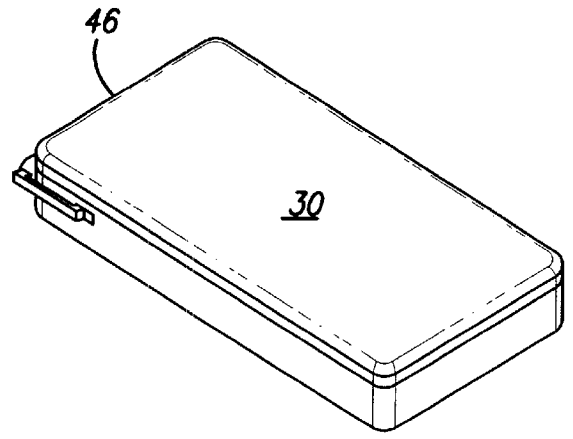


FIG. 10

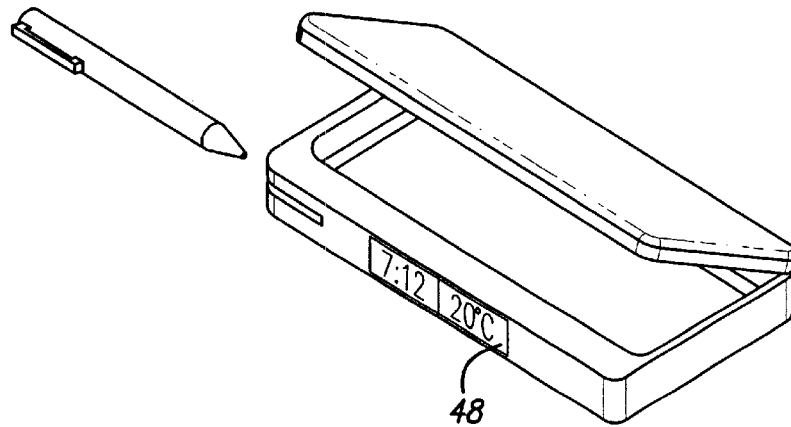


FIG. 9

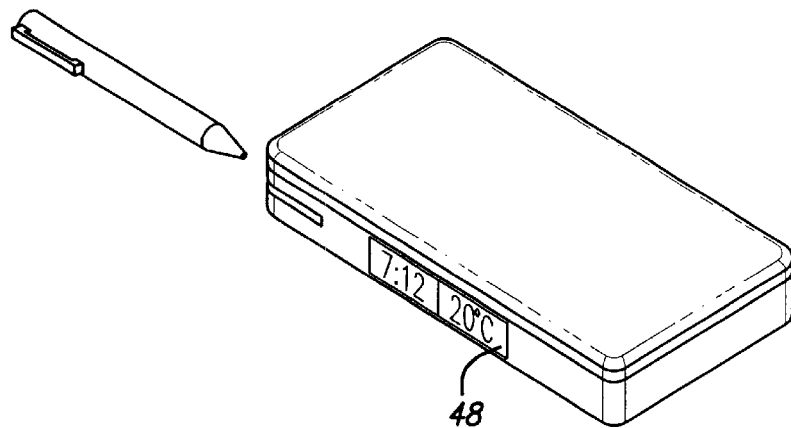


FIG. 8

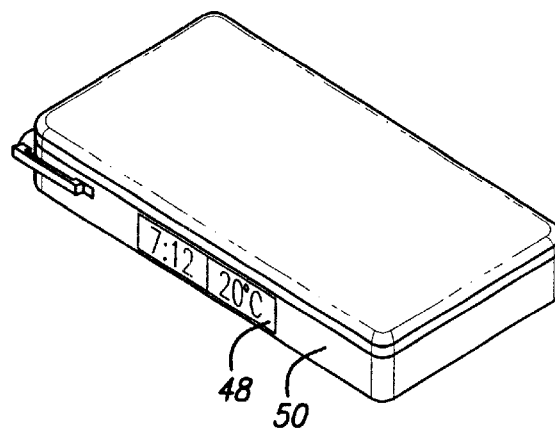


FIG. 13

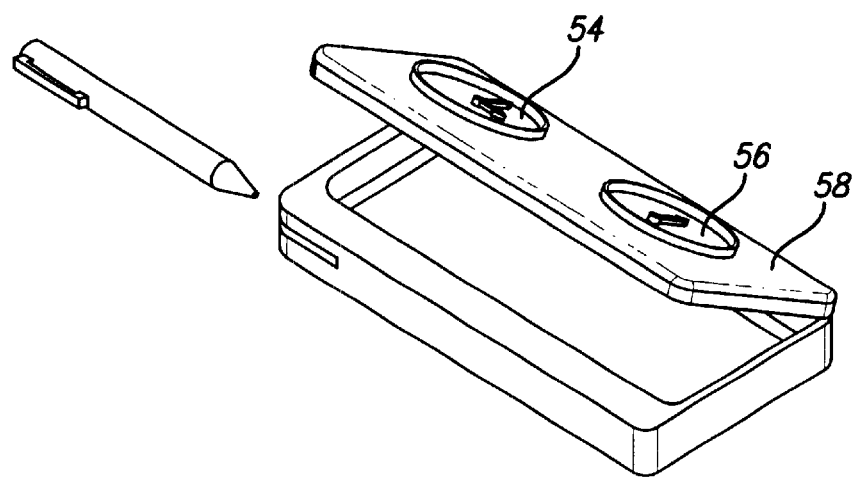


FIG. 12

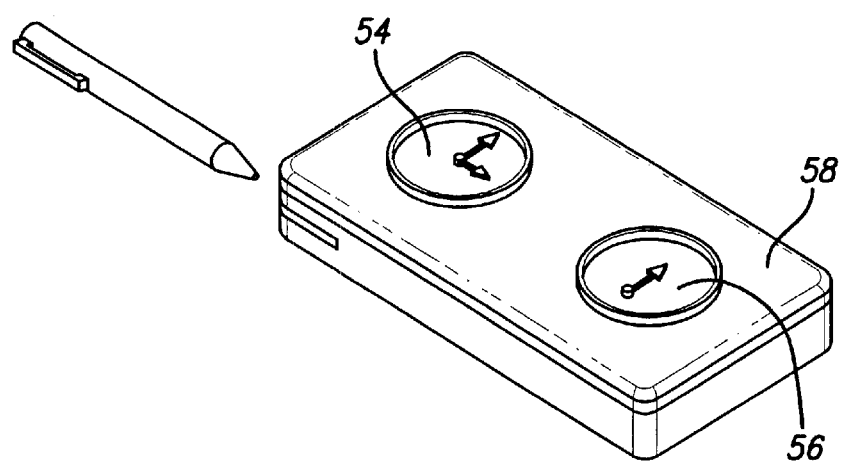
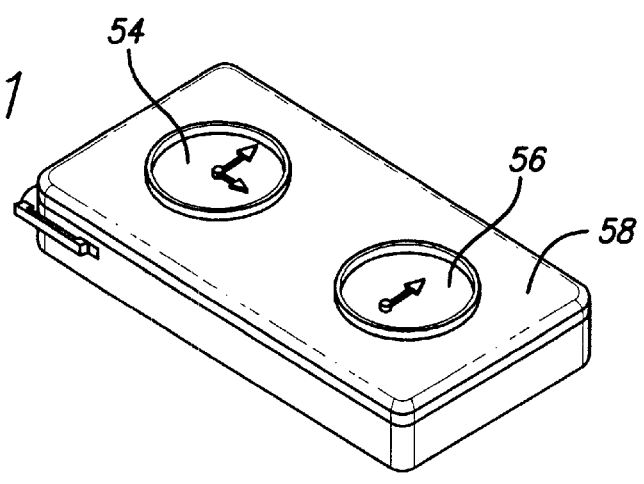
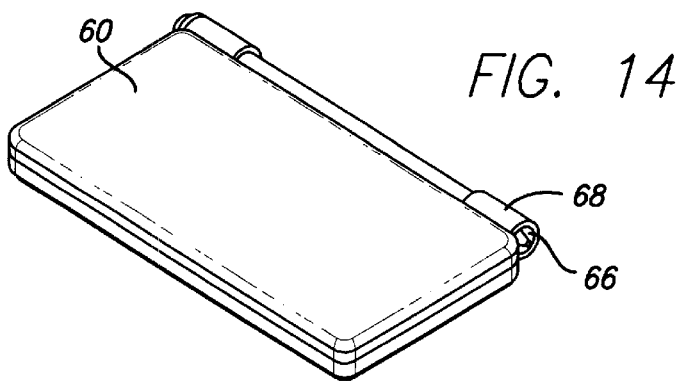
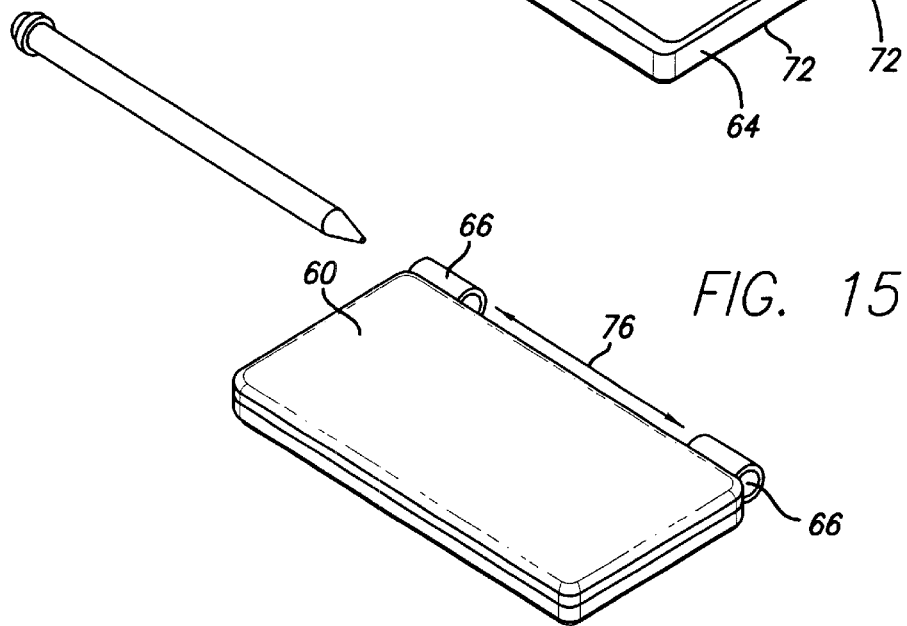
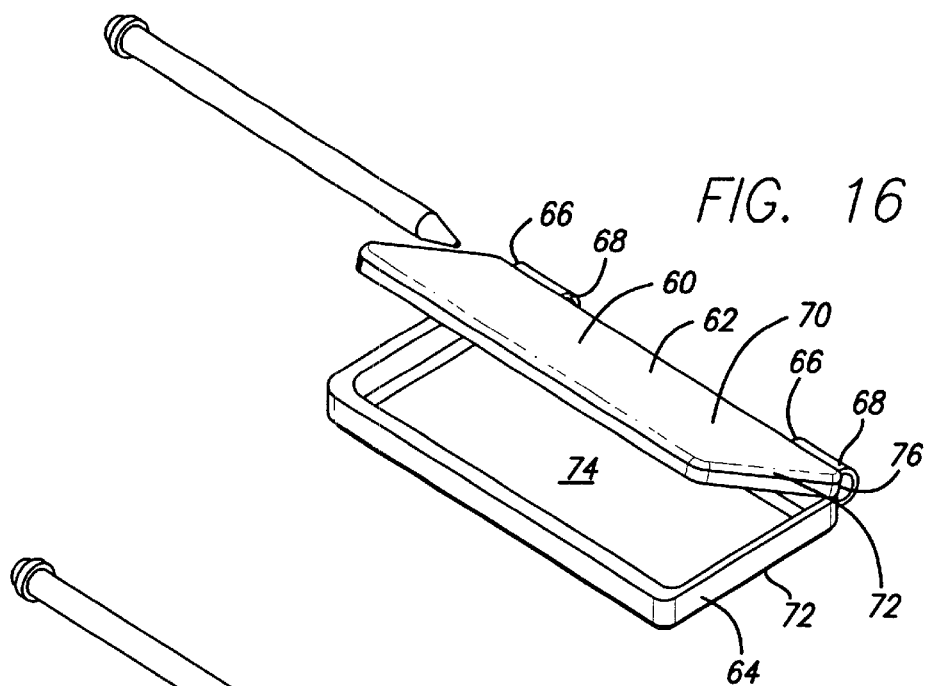
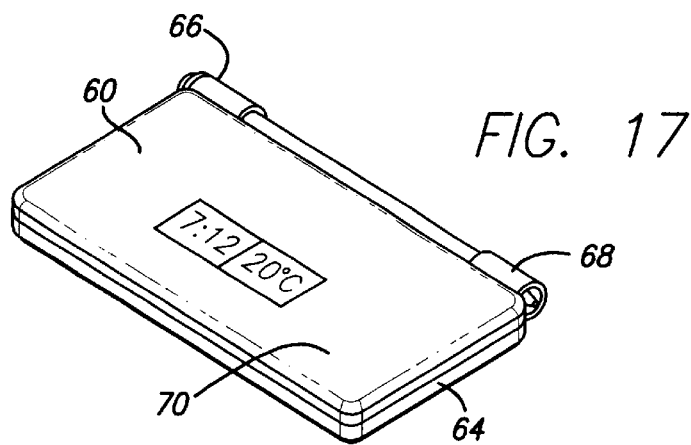
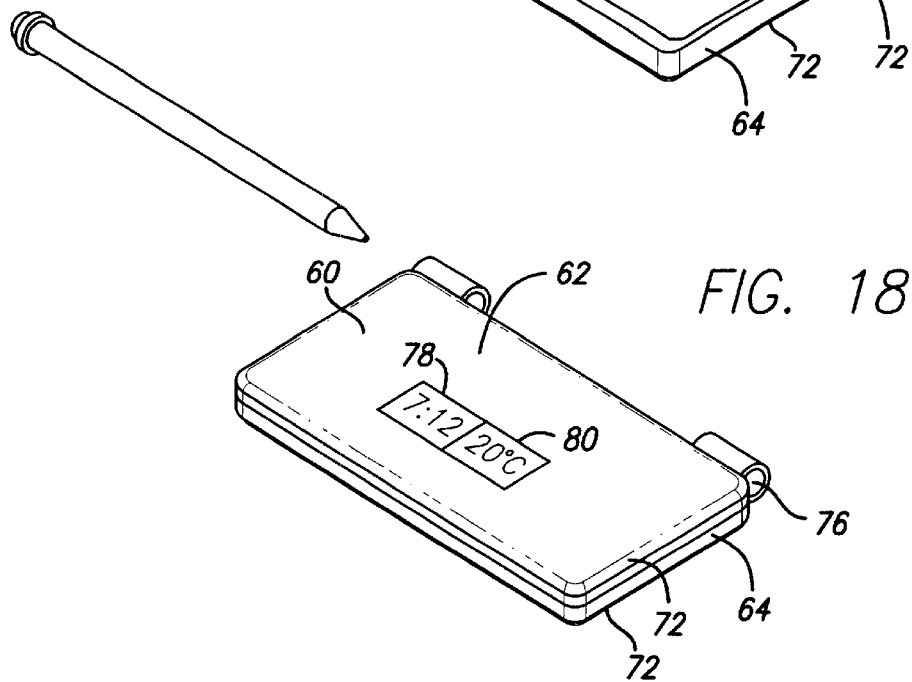
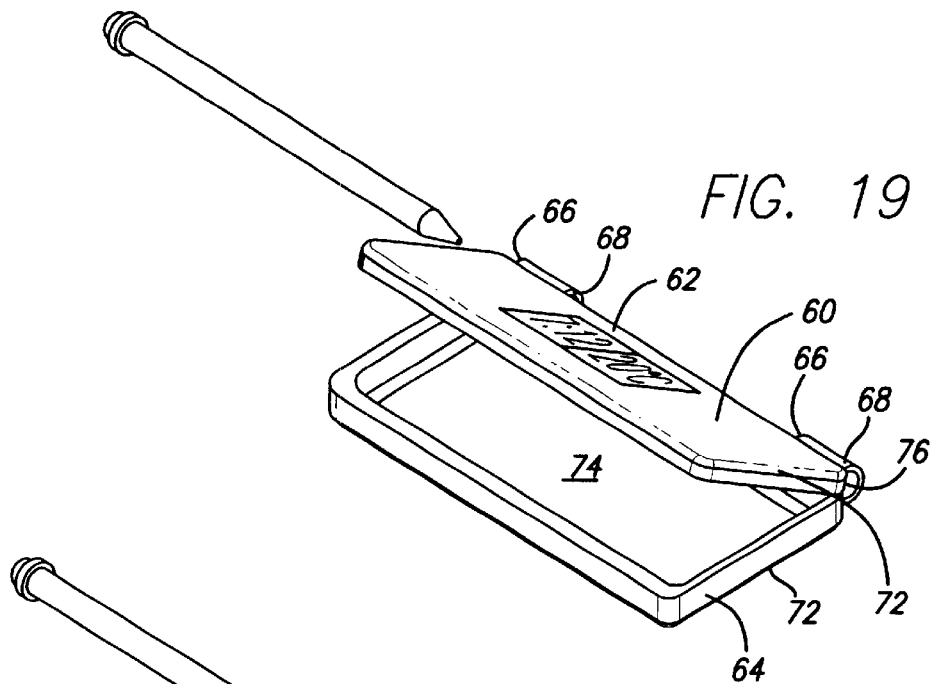


FIG. 11







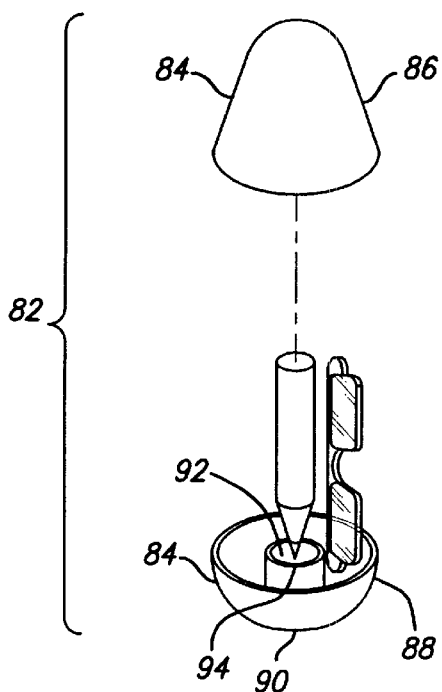


FIG. 20

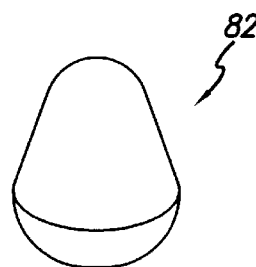


FIG. 21

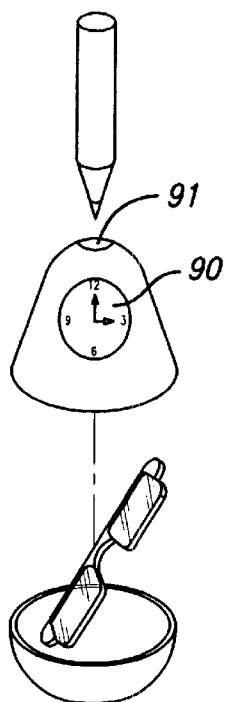


FIG. 22

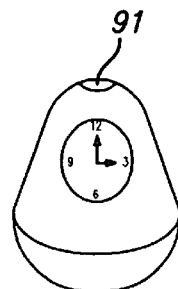


FIG. 23

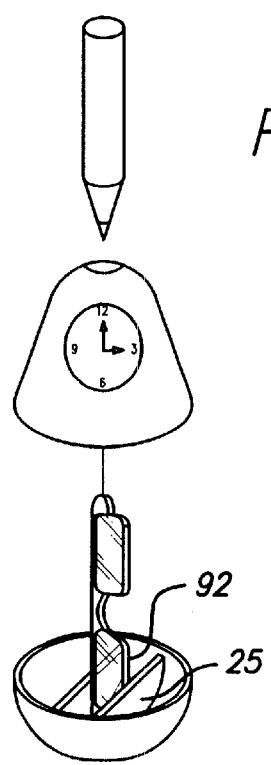


FIG. 24

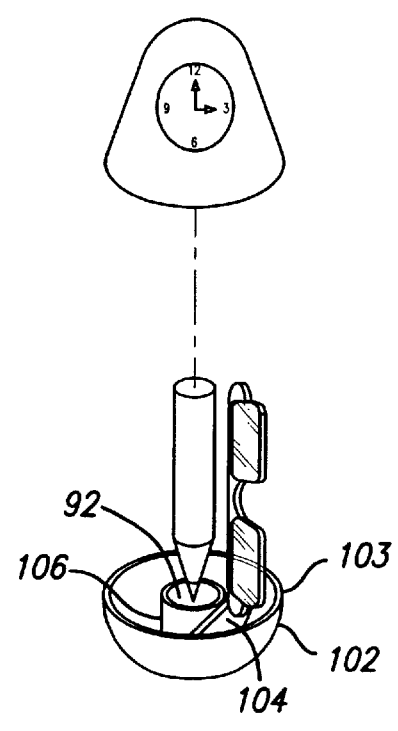


FIG. 25

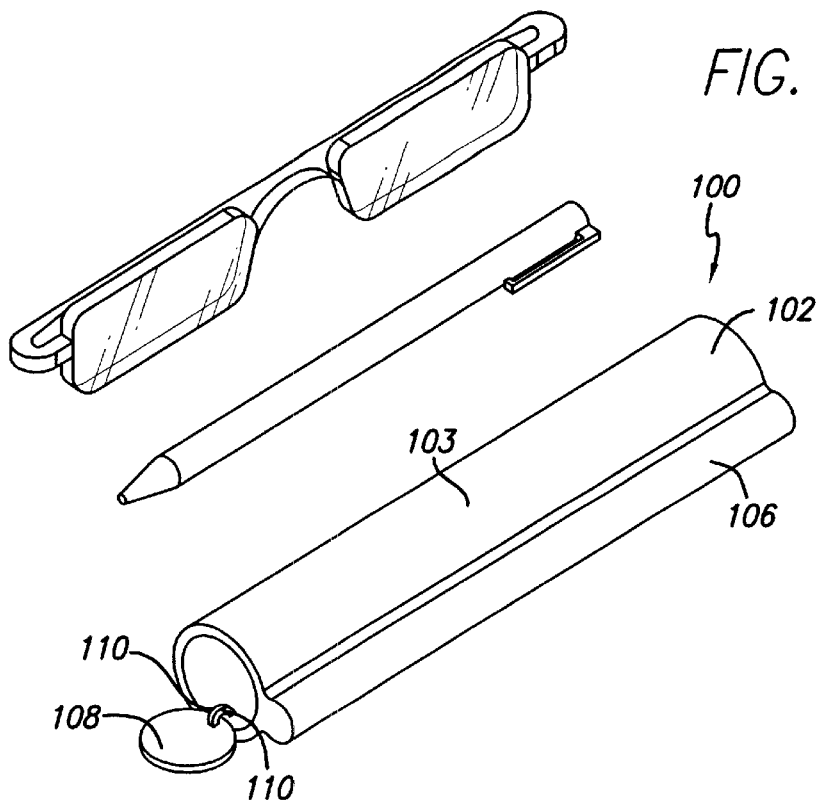


FIG. 26

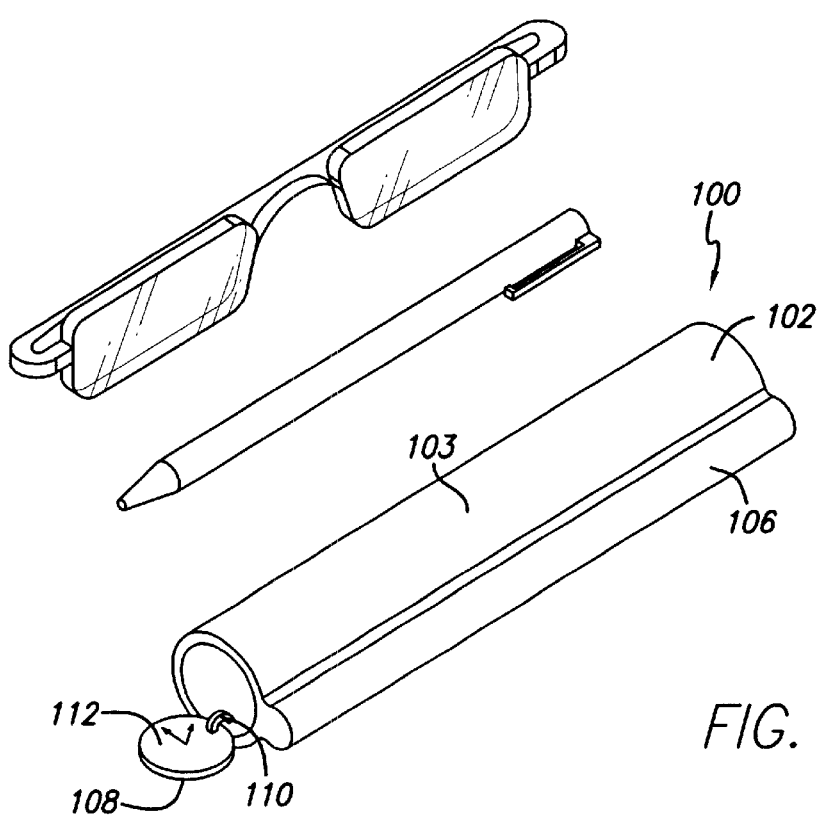


FIG. 27

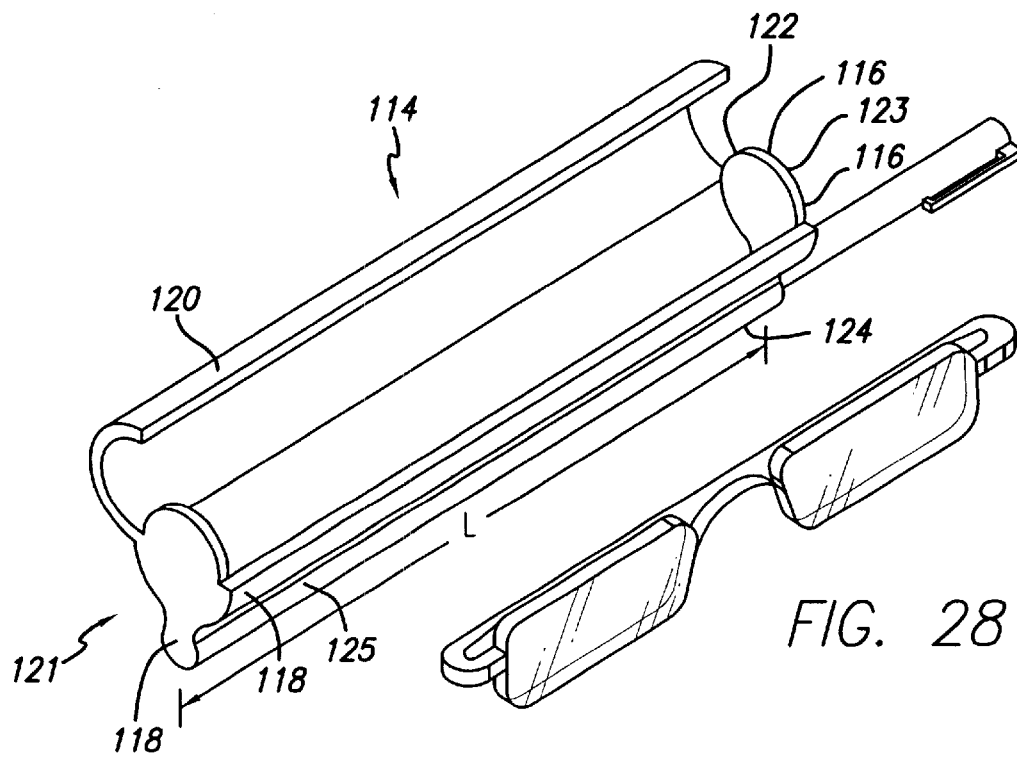


FIG. 28

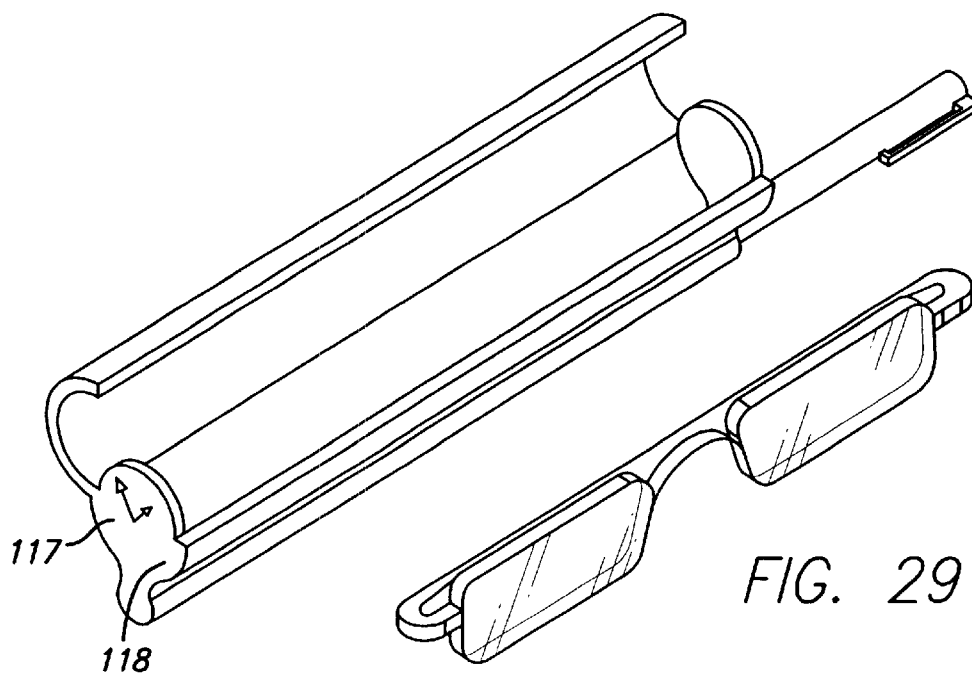


FIG. 29

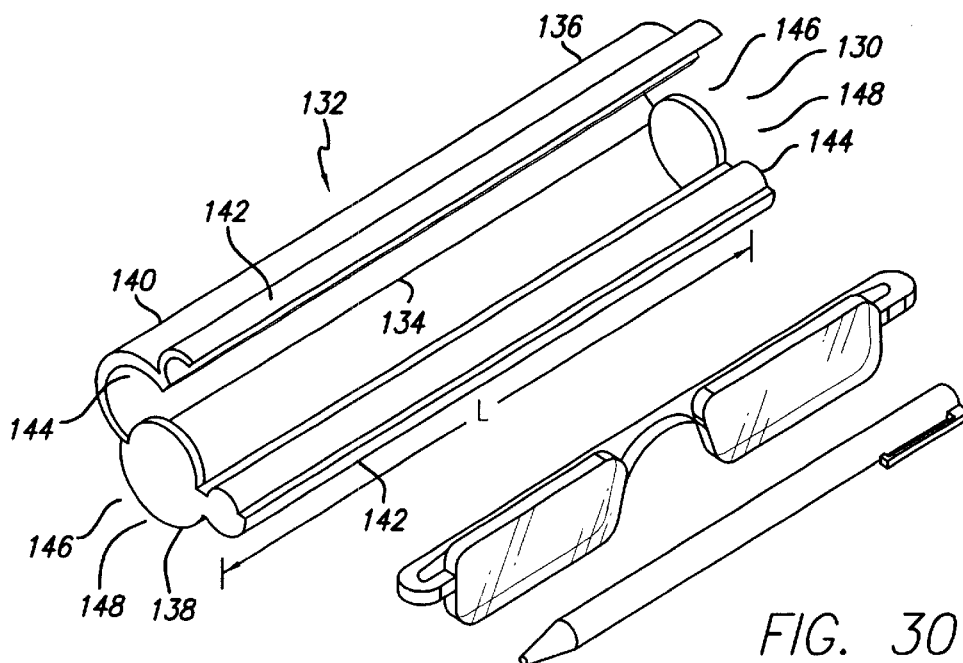


FIG. 30

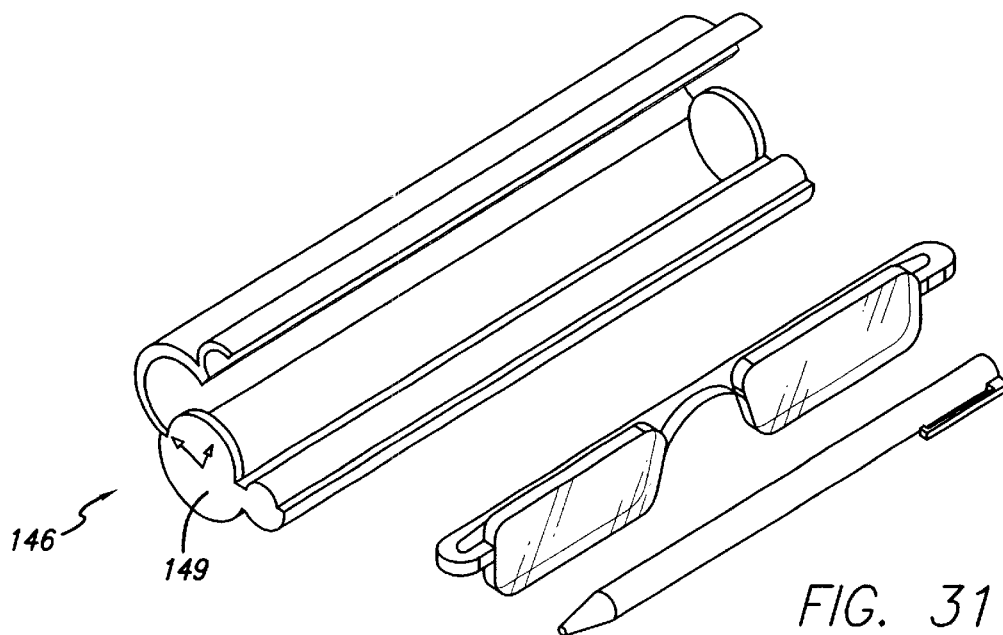


FIG. 31

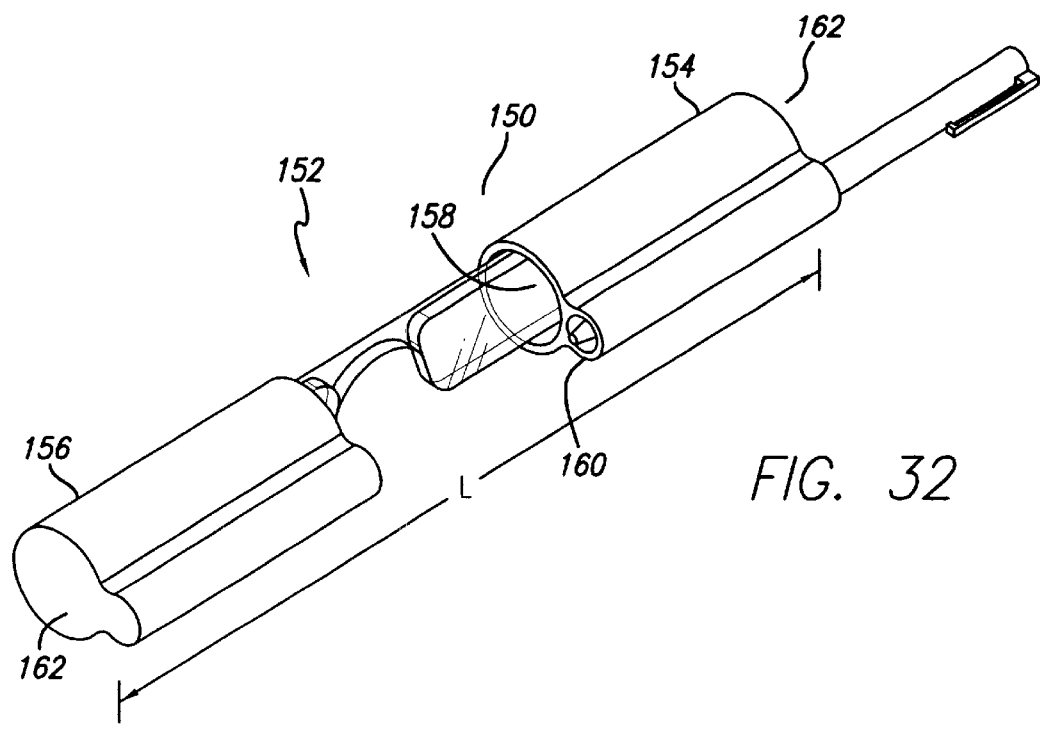


FIG. 32

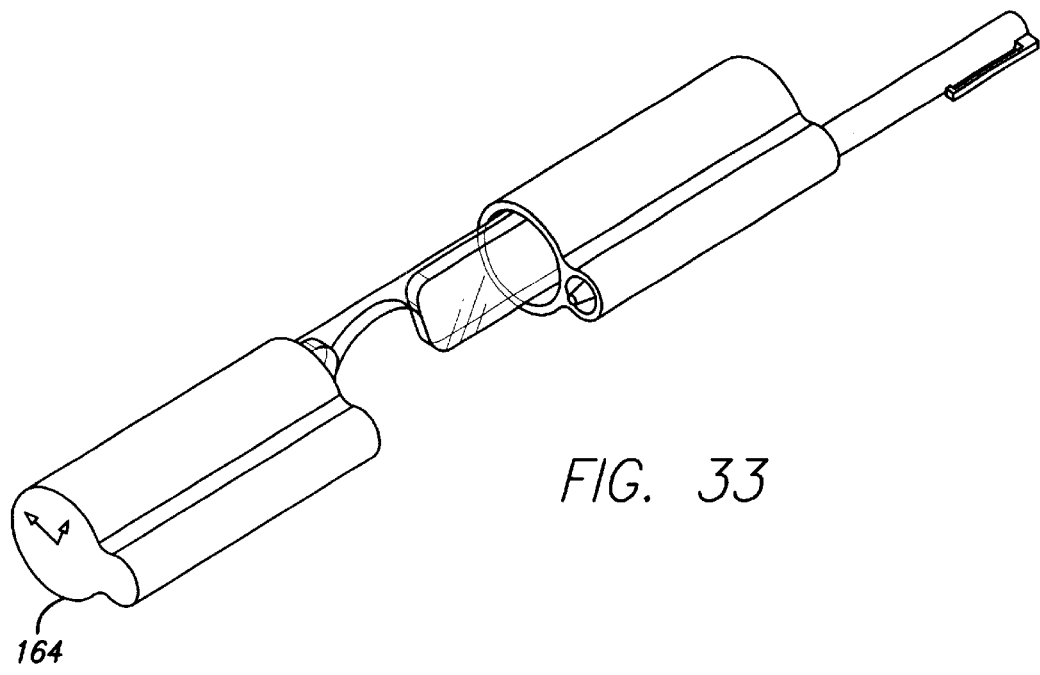


FIG. 33

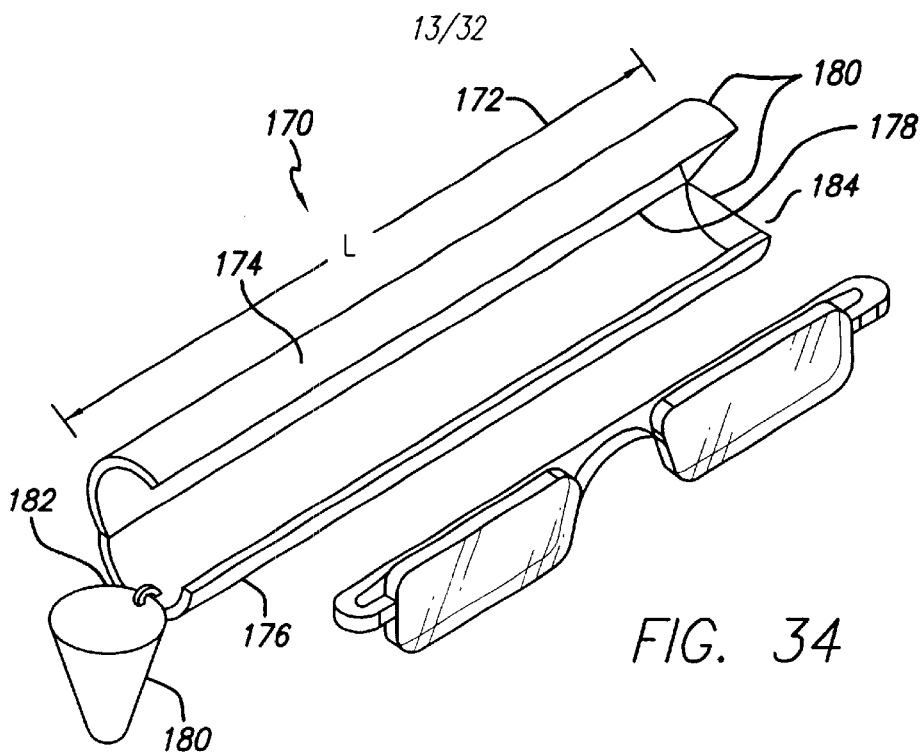


FIG. 34

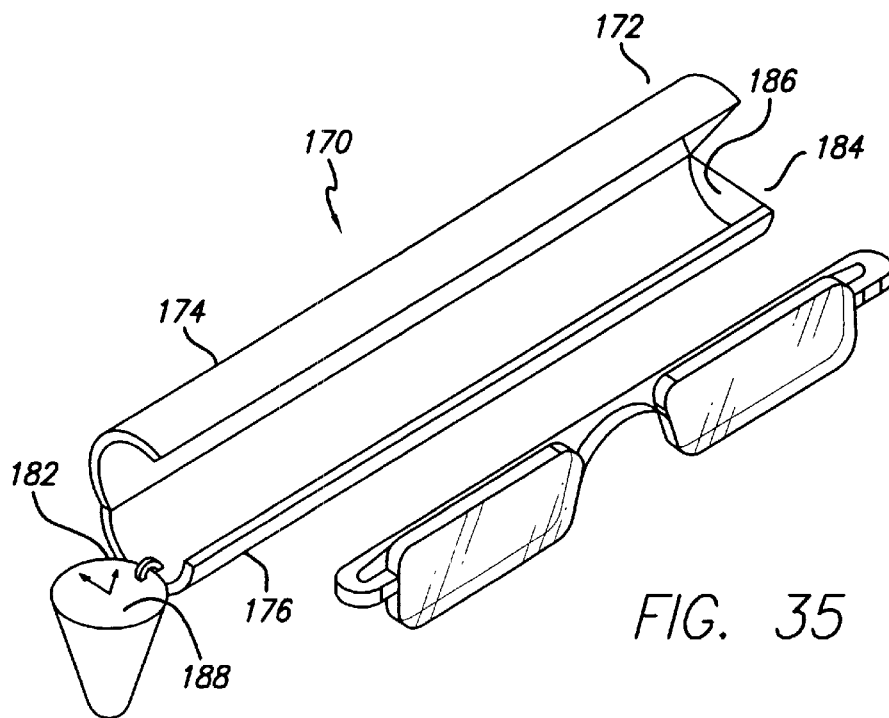
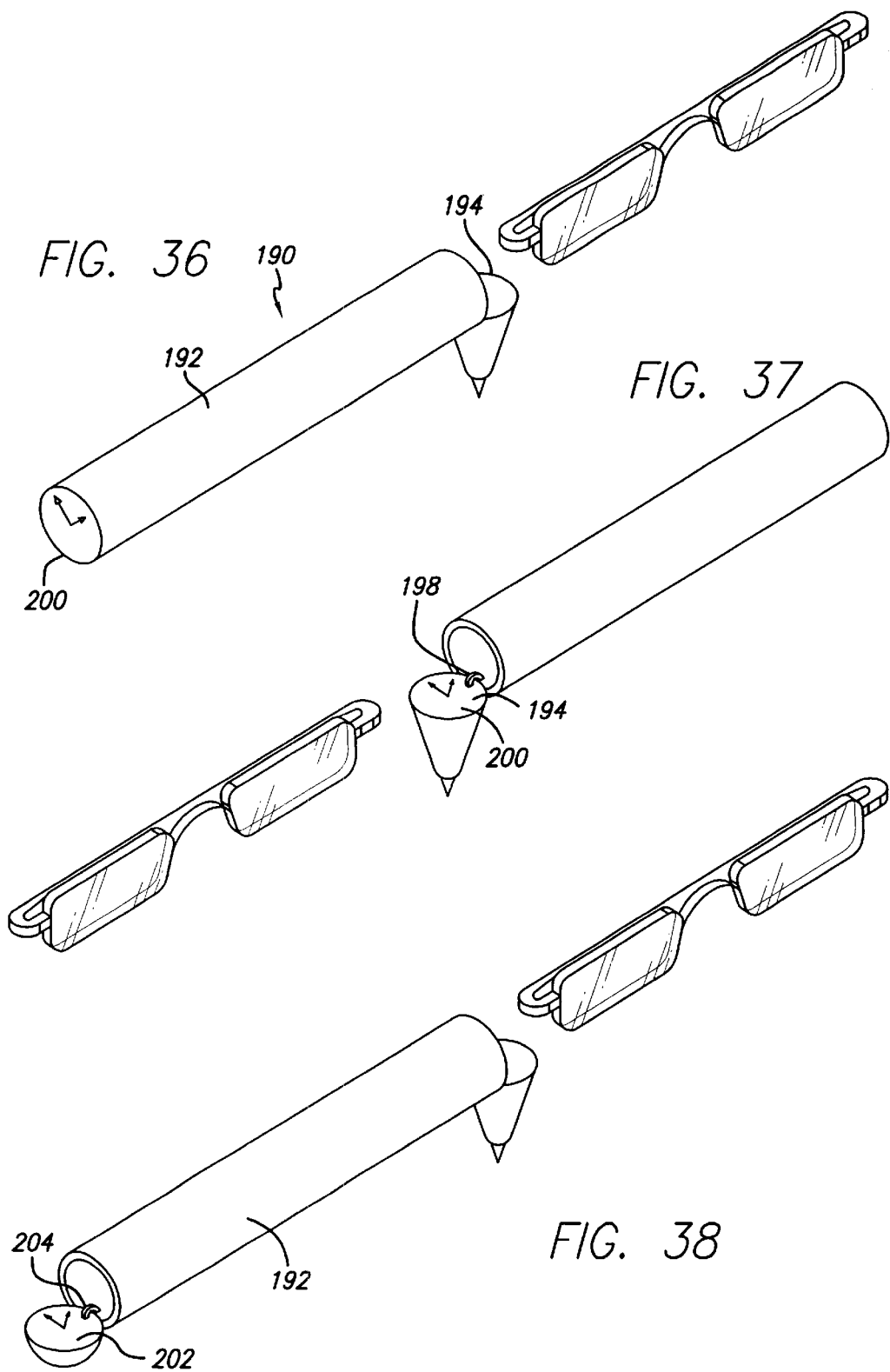


FIG. 35



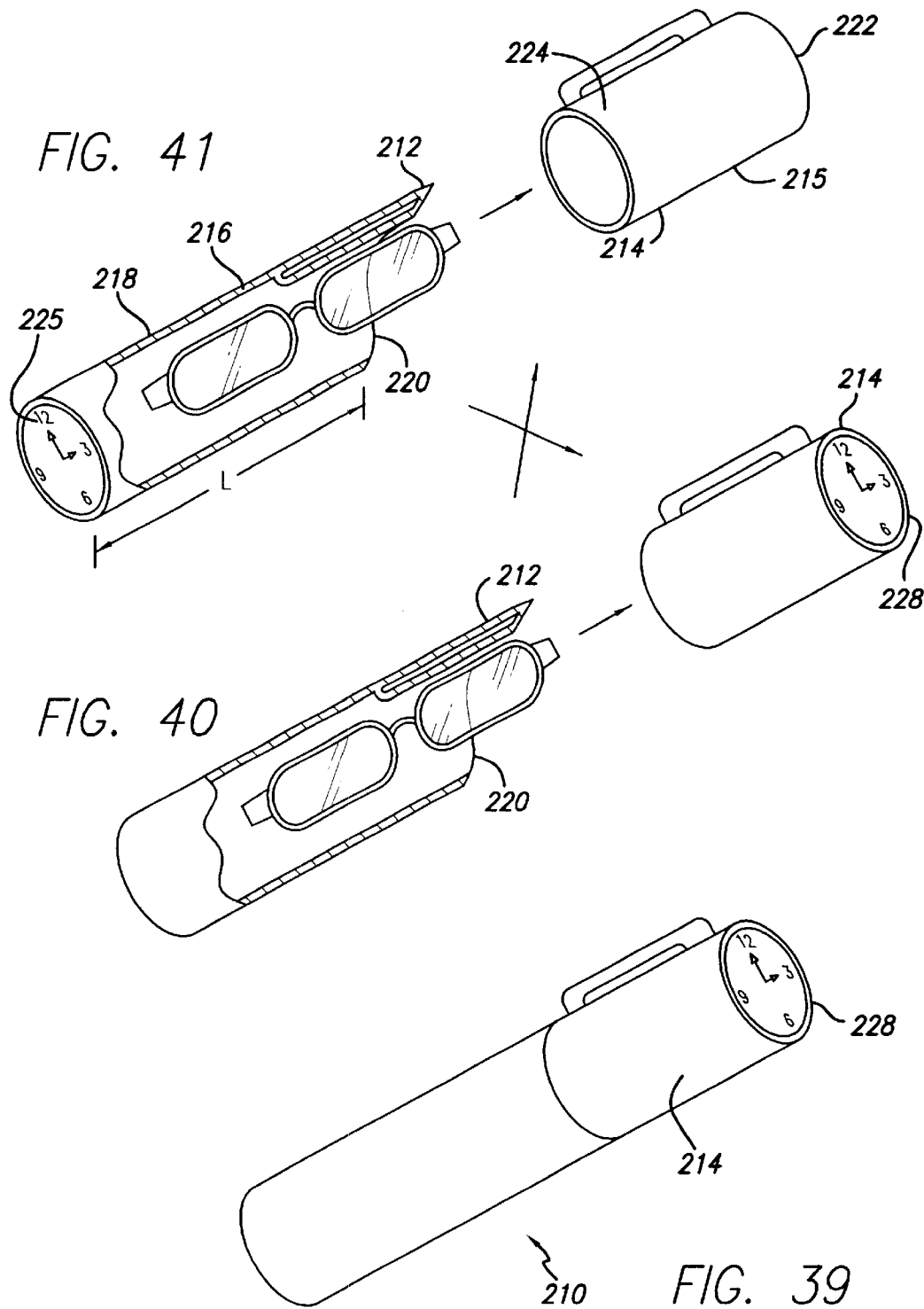


FIG. 42

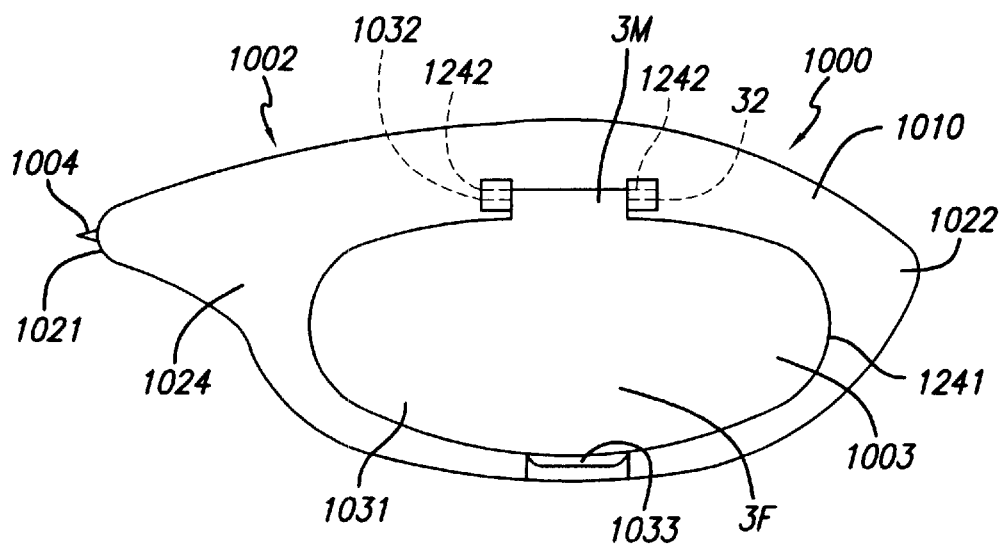
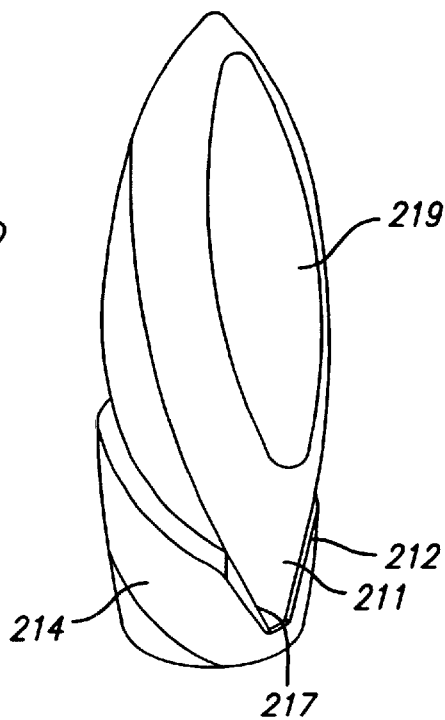
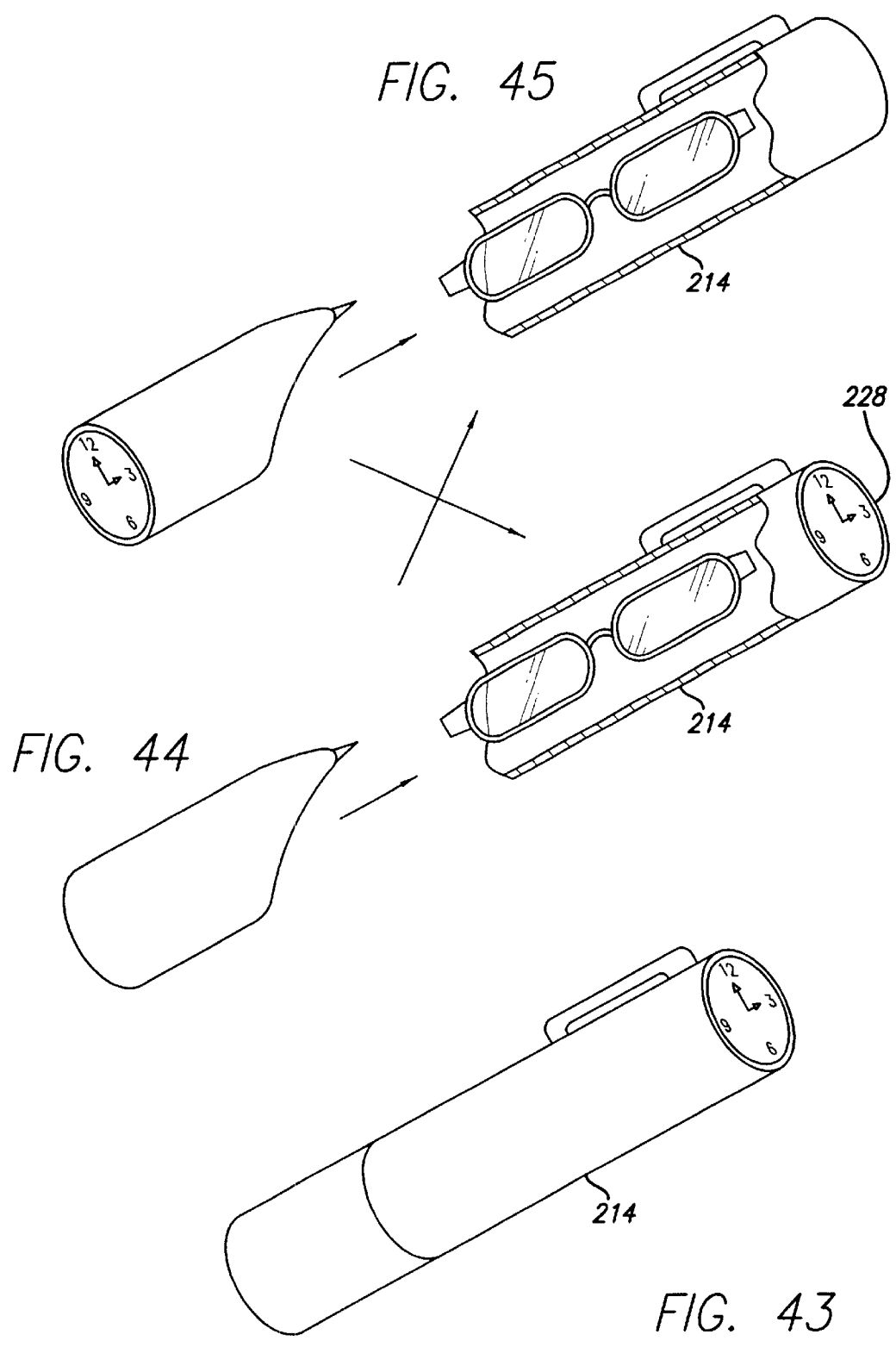


FIG. 65



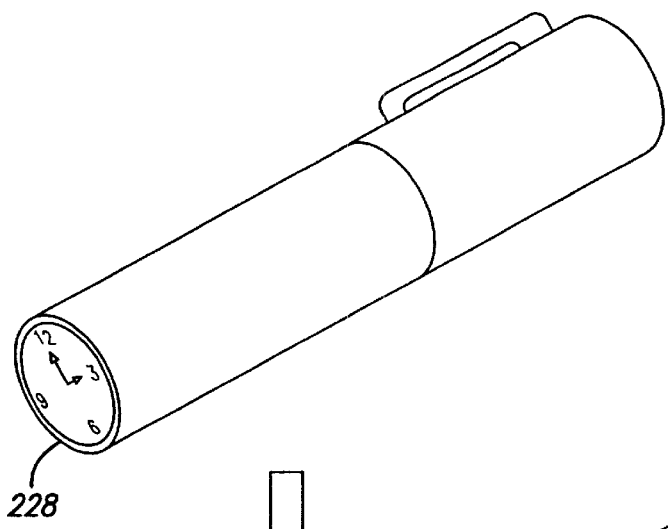


FIG. 46

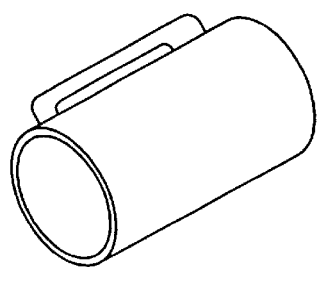
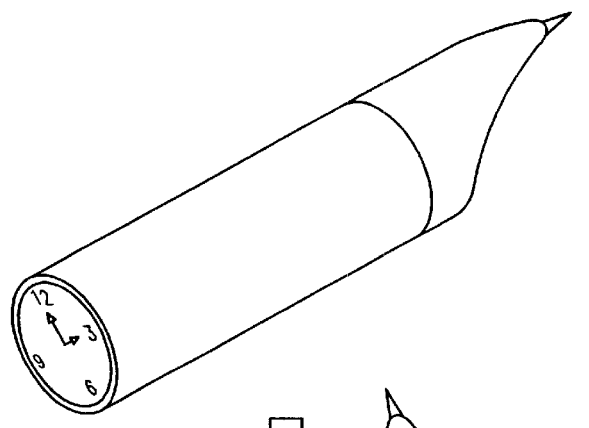
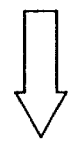


FIG. 47

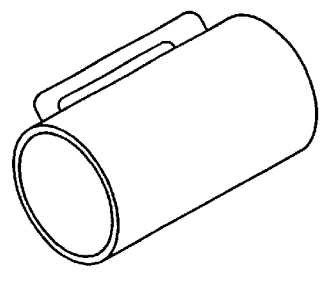
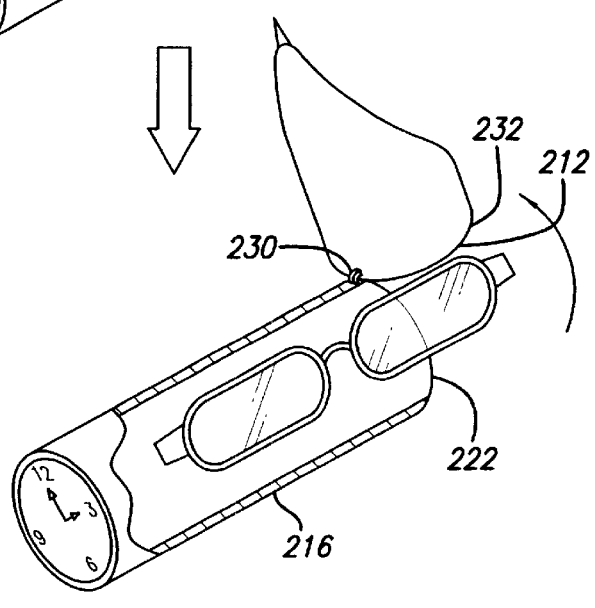
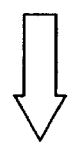
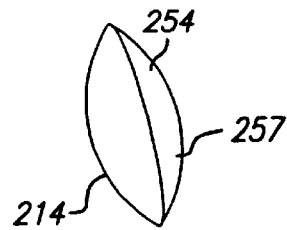
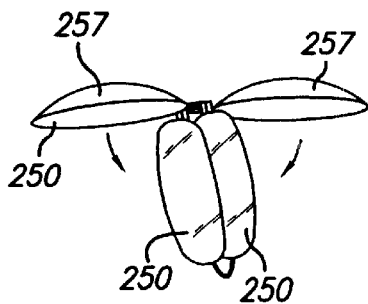
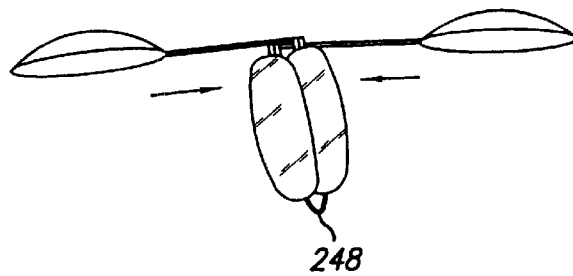
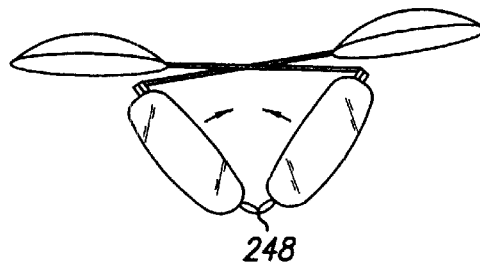
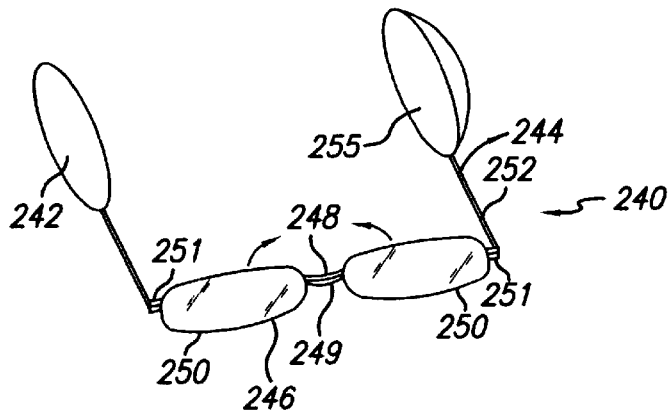


FIG. 48



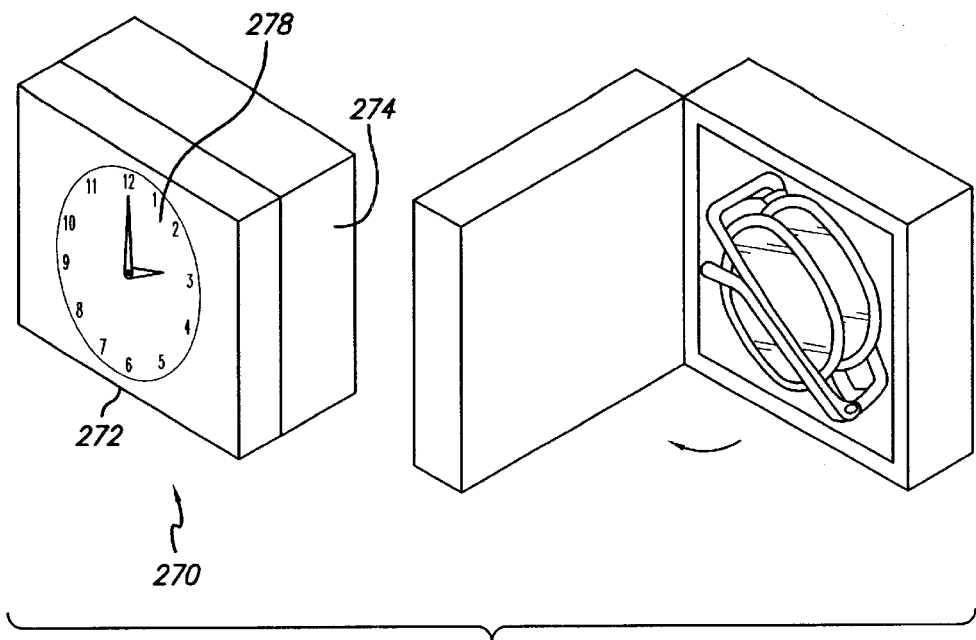


FIG. 54

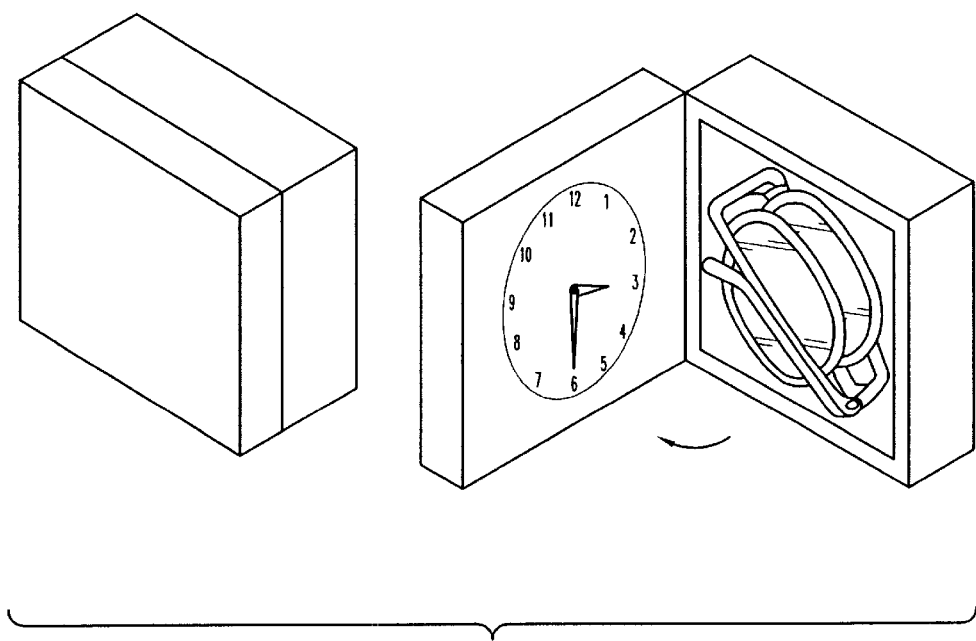


FIG. 55

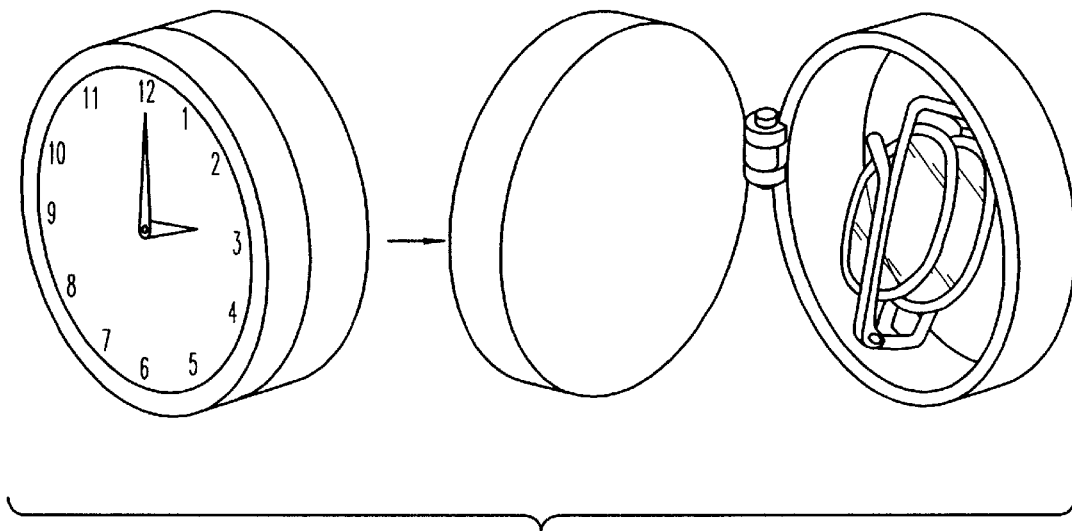


FIG. 56

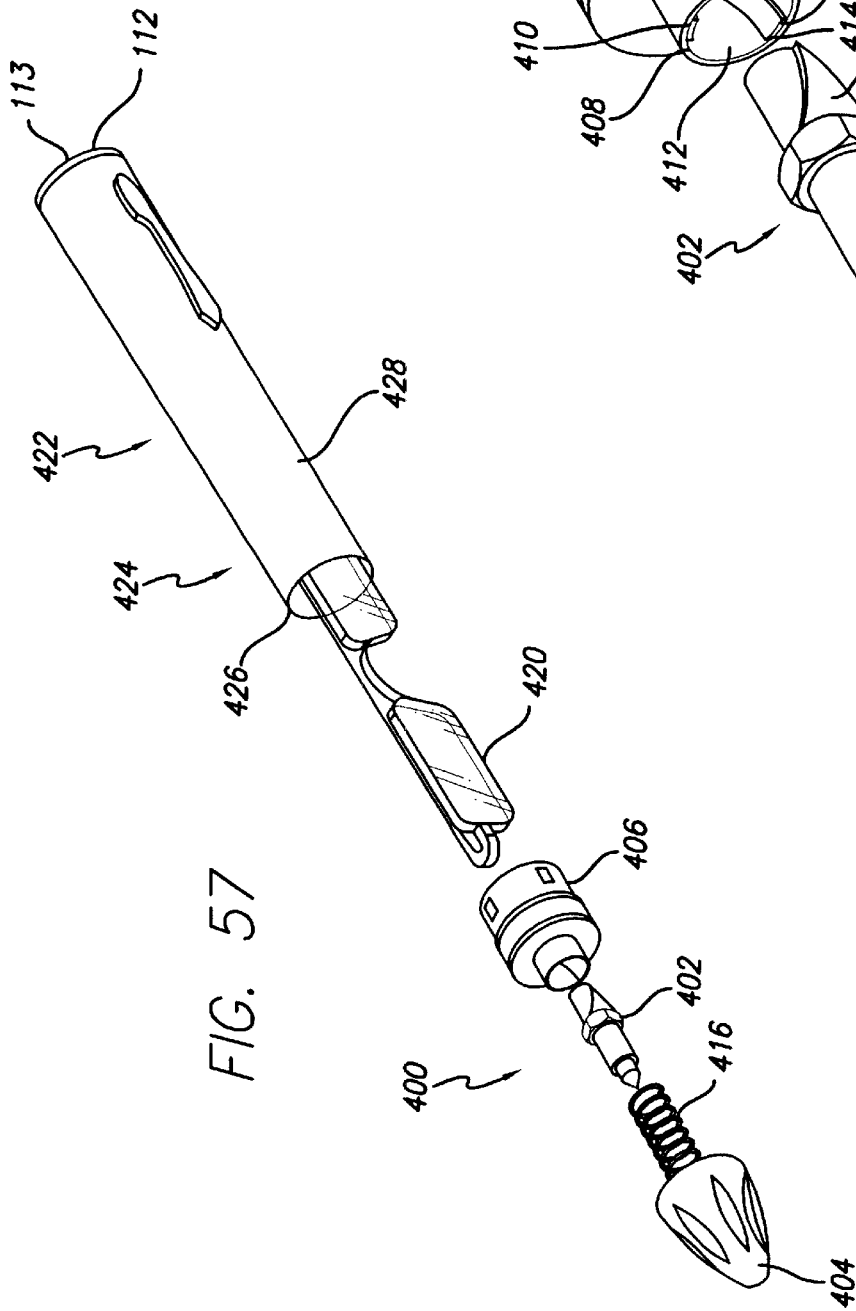


FIG. 57

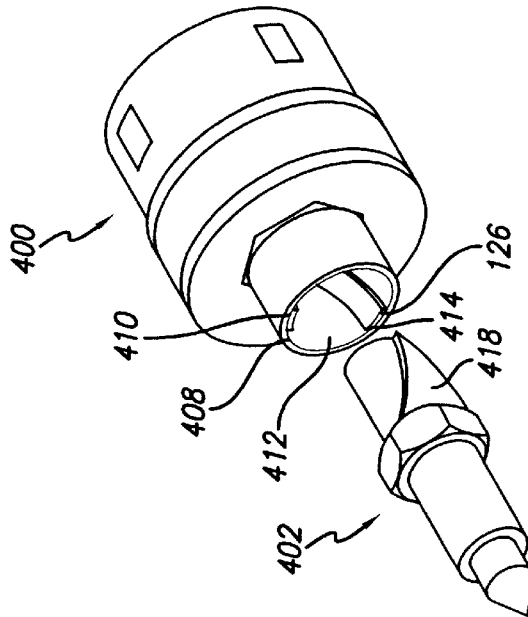


FIG. 58

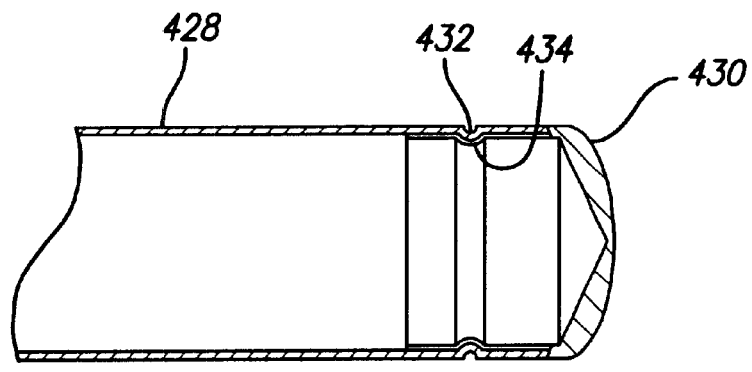


FIG. 59

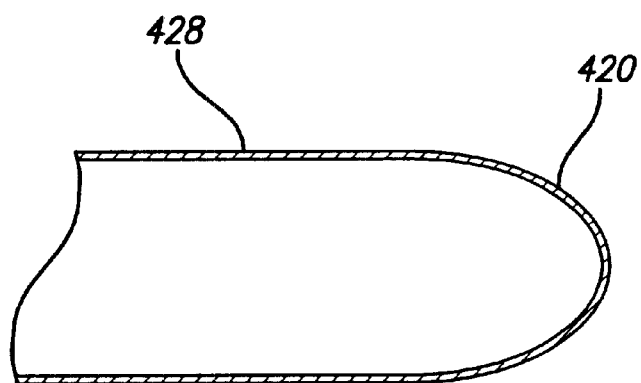


FIG. 60

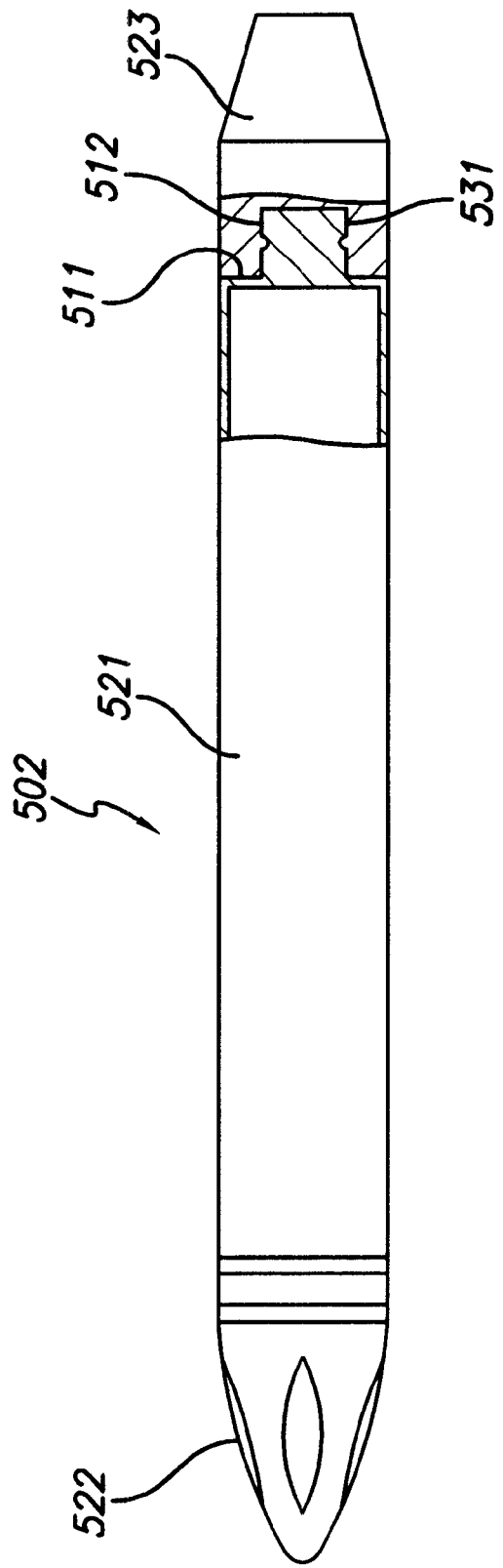
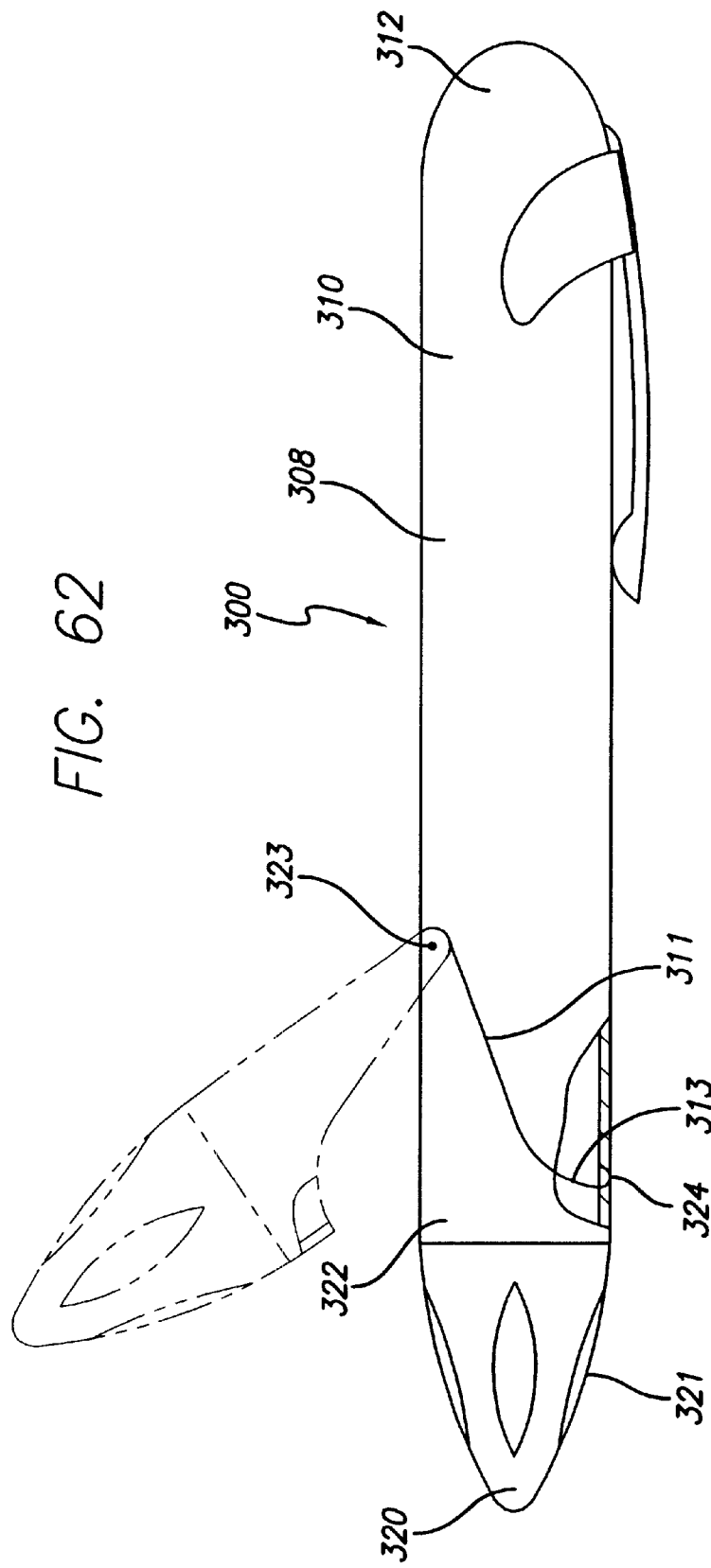
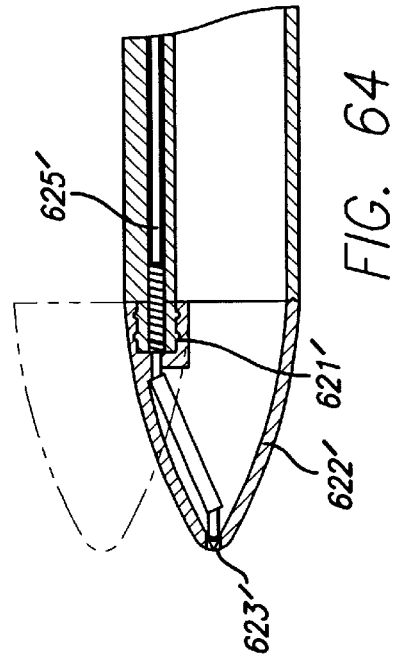
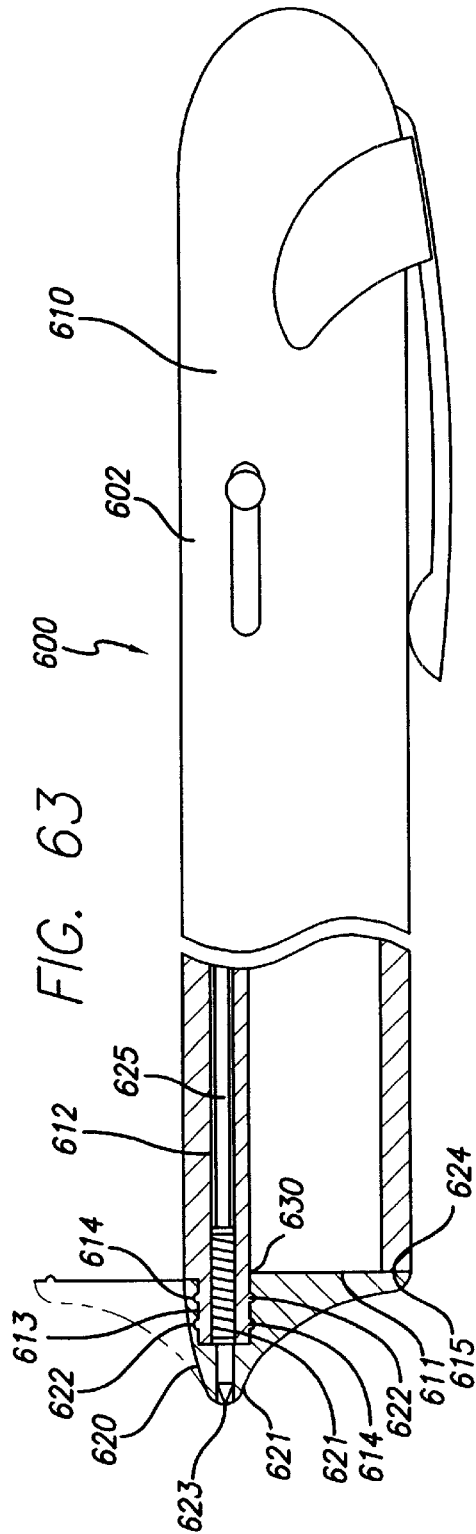


FIG. 61





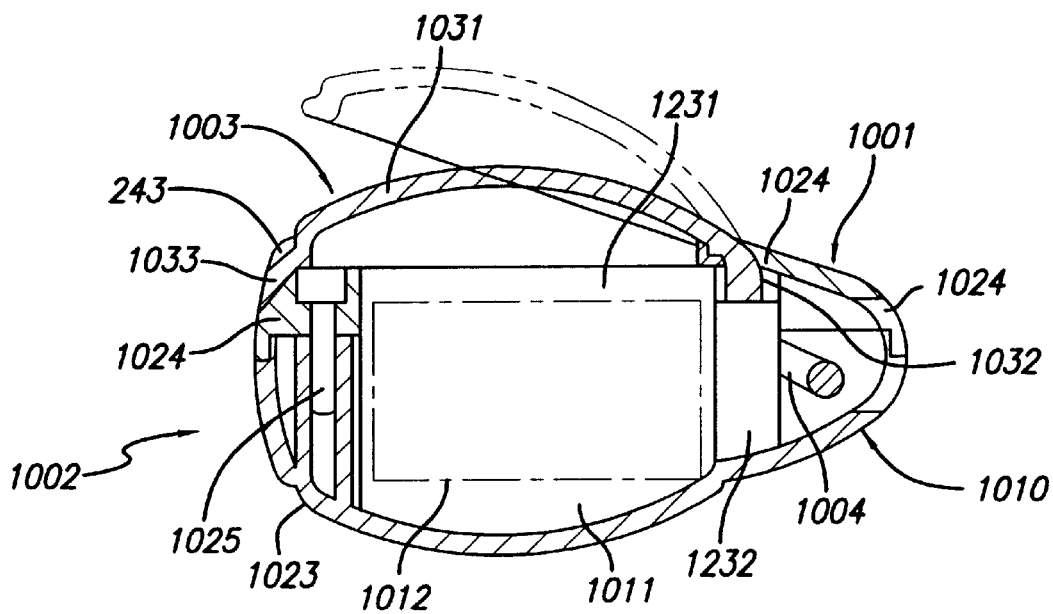


FIG. 66

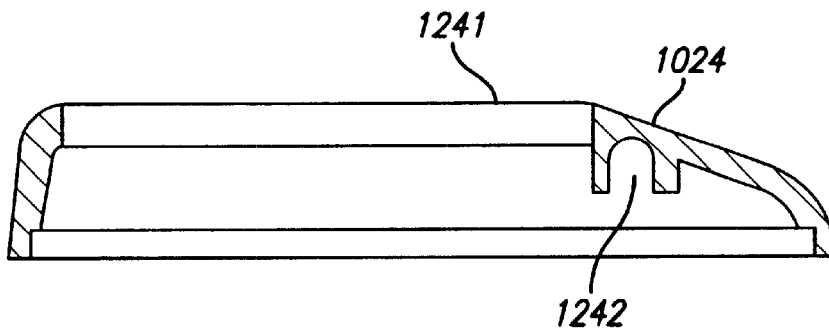


FIG. 67

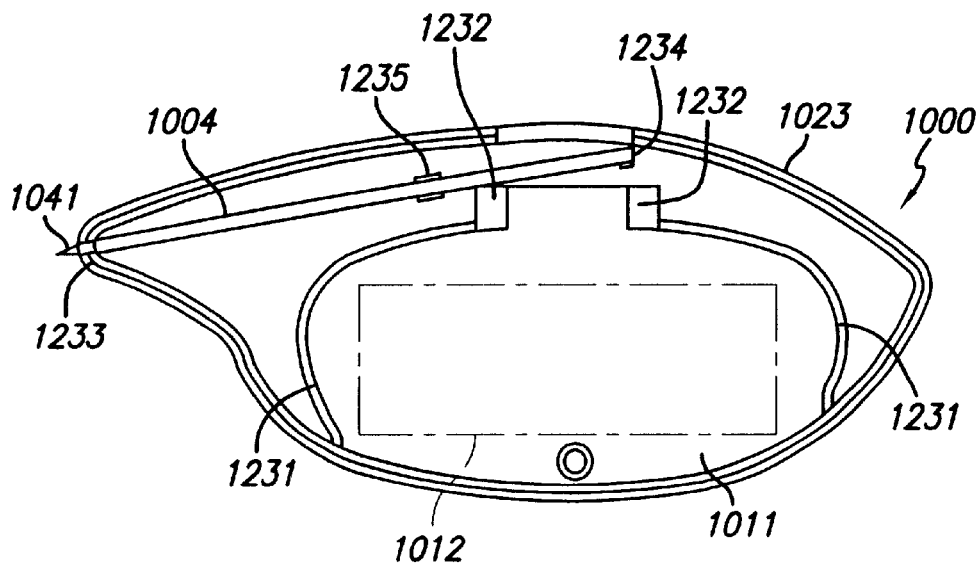


FIG. 68

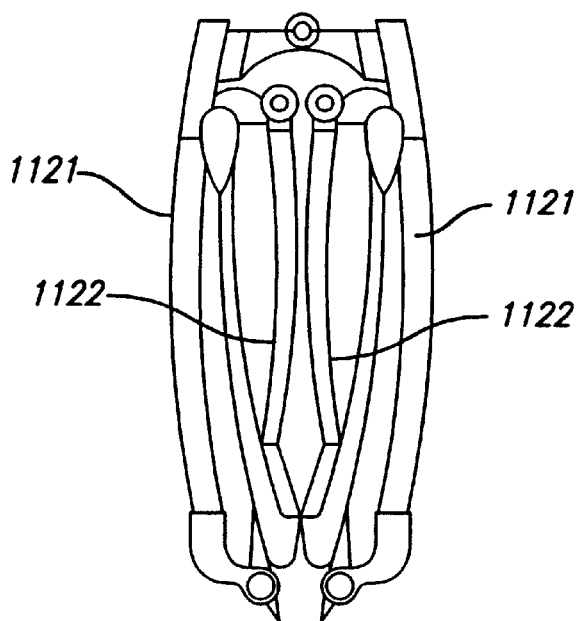
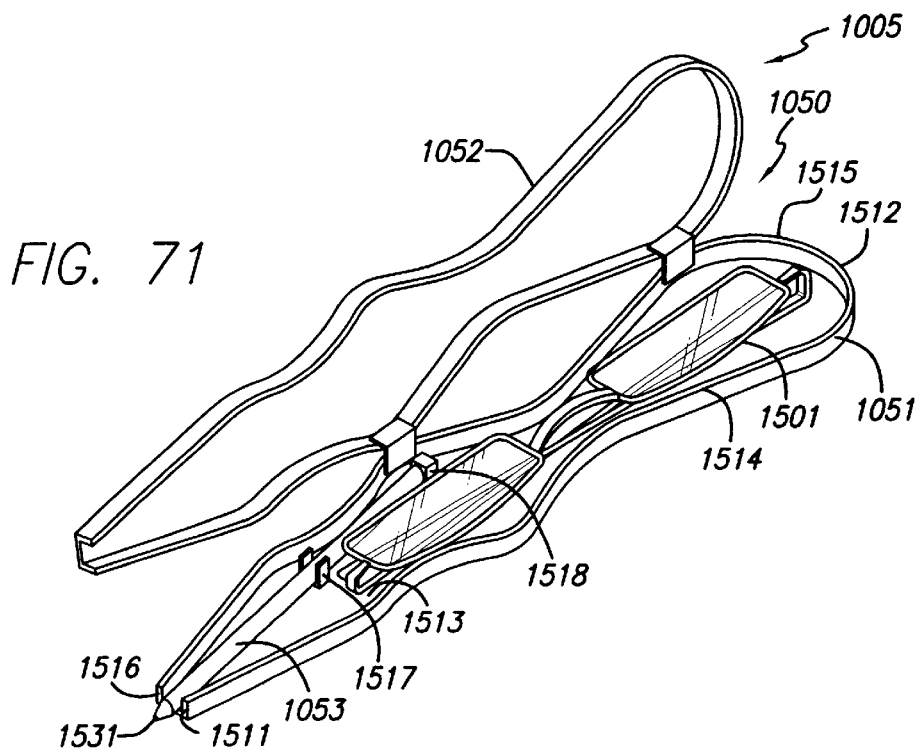
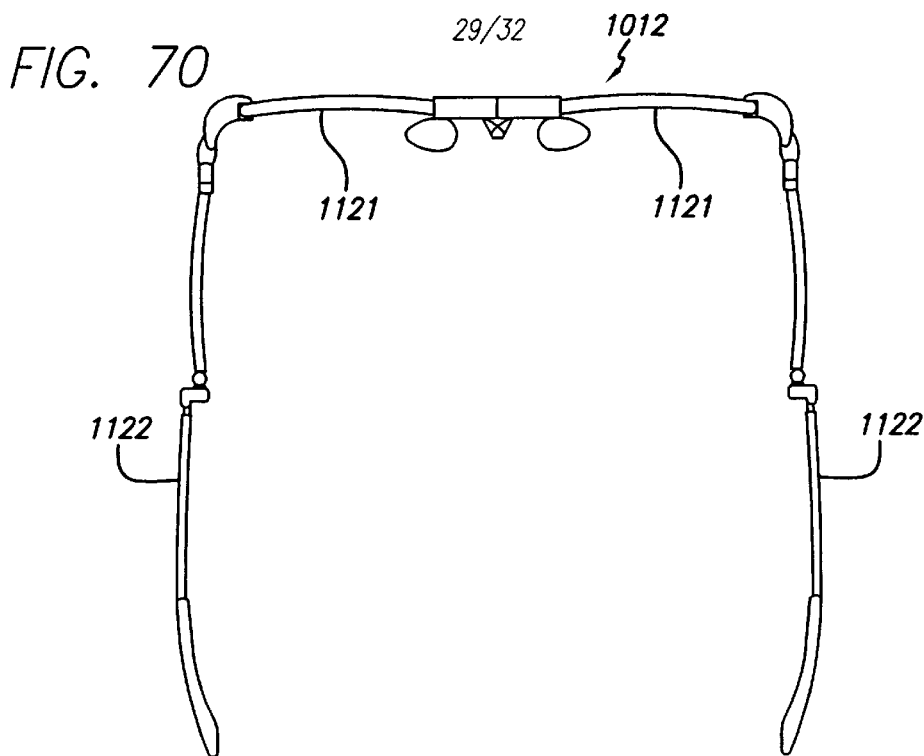


FIG. 69



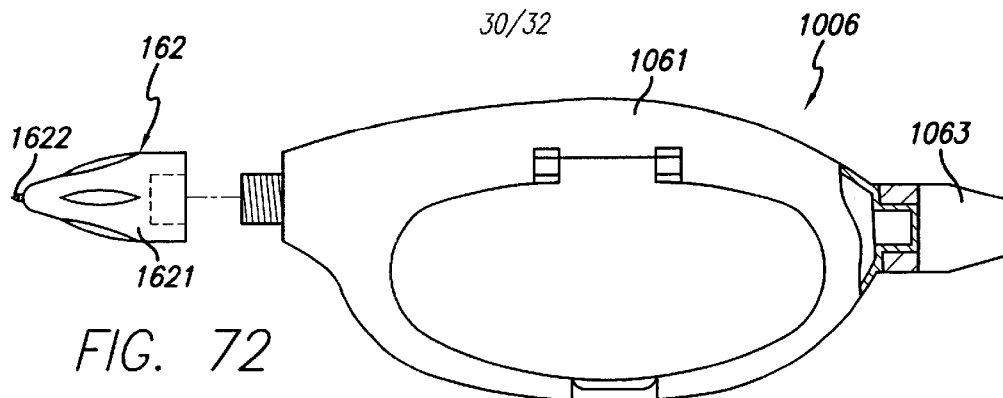


FIG. 72

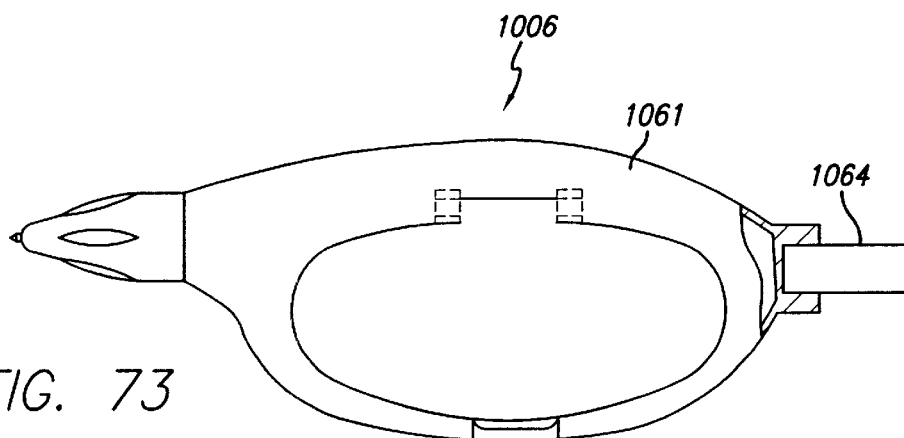


FIG. 73

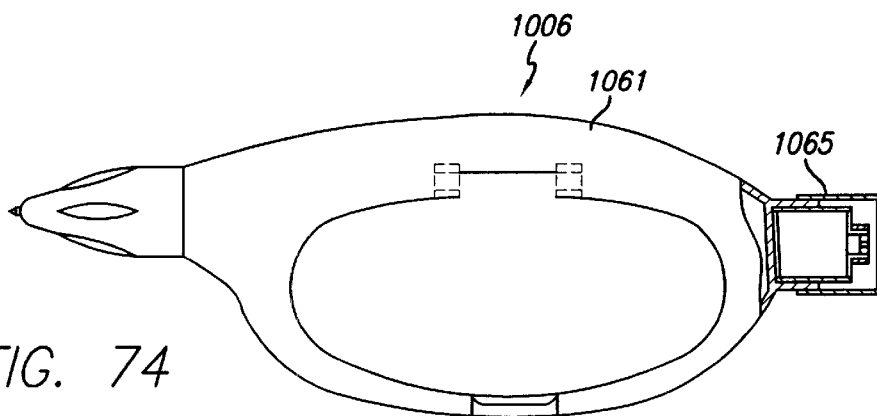


FIG. 74

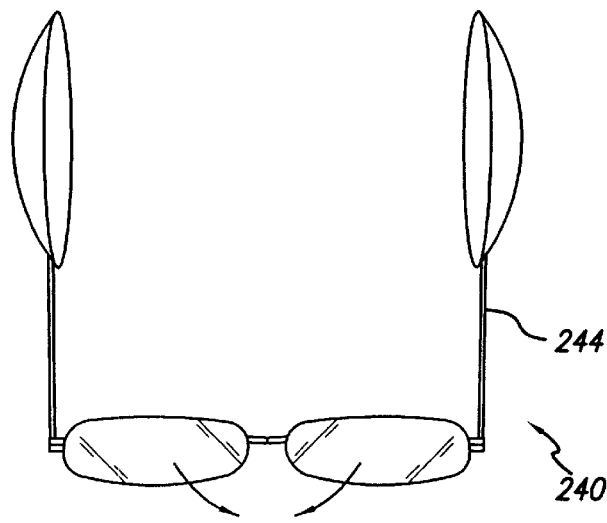


FIG. 75

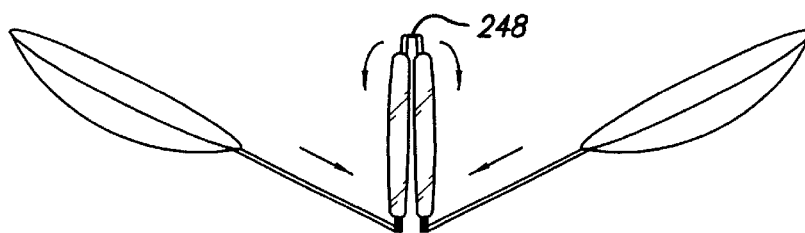


FIG. 76

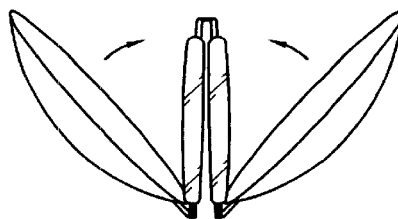


FIG. 77

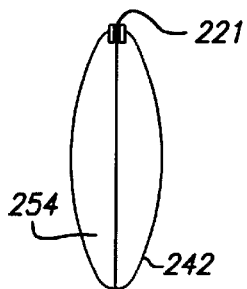


FIG. 78

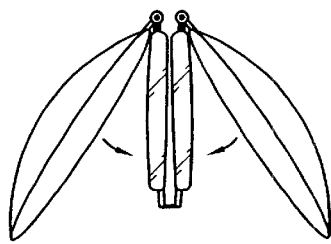
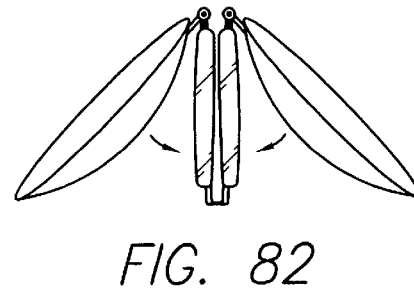
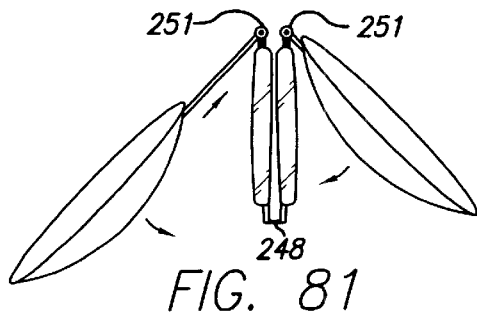
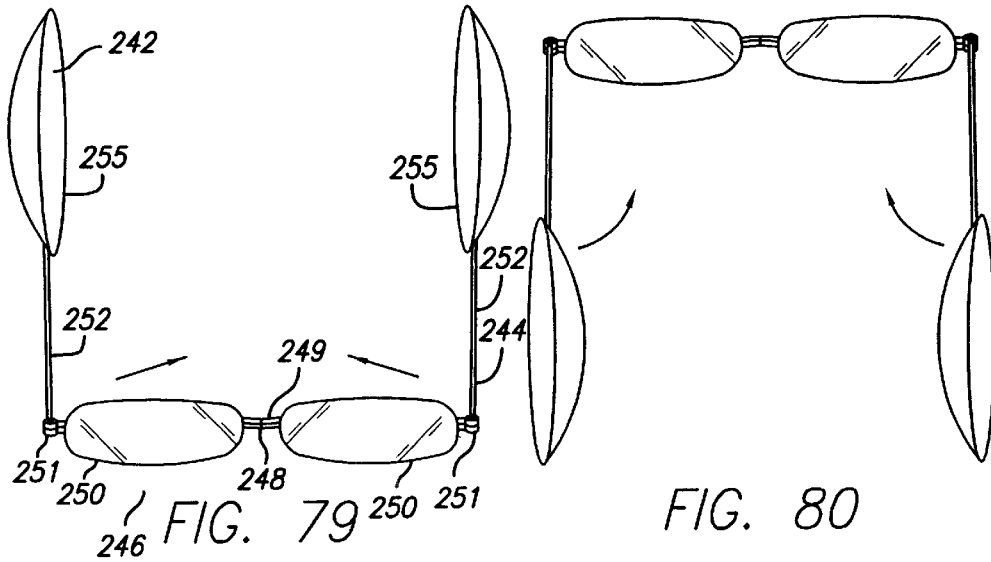


FIG. 83

FIG. 84

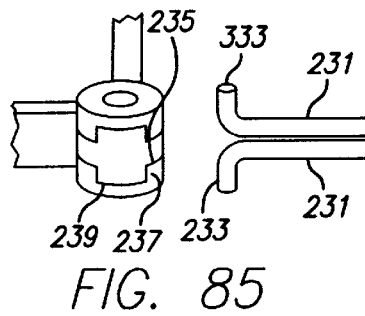


FIG. 85

FOLDING EYEGLASSES**RELATED APPLICATIONS**

The present application is a continuation-in-part of U.S. application Ser. No. 09/607,265 filed Jun. 30, 2000, now U.S. Pat. No. 6,270,274, and a continuation-in-part of U.S. application Ser. No. 09/625,748 filed Jul. 26, 2000, now U.S. Pat. No. 6,305,799.

FIELD OF THE INVENTION

The present invention is directed to multipurpose containers in which a variety of items can be stored, such as eyeglasses writing instruments, pills, medicines, thermometers, rulers, note pads, to name a few of the nearly limitless number of items that can be stored. The containers may be provided with writing implements or gauges to measure a parameter, such as a timepiece, or a computational device, such as a calculator.

BACKGROUND OF THE INVENTION

There are numerous containers in the prior art that can be used to store items, that may or may not have another purpose associated with it, such as an attached writing instrument, or storing another item, or providing information on a prevailing aspect of the moment, such as temperature or time.

SUMMARY OF THE INVENTION

The present invention is directed to multipurpose containers and that can be used to store and retain a variety of items, including such items as eyeglasses, medicines, foods, rulers, thermometers, note pads, to name but a few of the possibilities. The containers have an interior space for storing an item, and may be provided with a second interior space for storing a second item. The container may be provided with a writing implement, or it may be provided with a gauge for measuring a parameter, or a computational device, such as a calculator. In one embodiment, the invention is a pair of folding eyeglasses that is transformable into its own compact case.

BRIEF DESCRIPTION OF THE DRAWINGS

FIGS. 1–4 show a perspective view of an embodiment of the present invention.

FIGS. 5, 6, and 7 show a multi-purpose container comprised of, in side-by-side arrangement.

FIGS. 8, 9, and 10 show variations on the multi purpose container of FIGS. 5–7.

FIGS. 11, 12 and 13 show variations on the multi purpose container of FIGS. 5–7.

FIGS. 14, 15 and 16 show perspective views of another embodiment of the present invention.

FIGS. 17, 18, and 19 show variations on the multi purpose container of FIGS. 14–16.

FIG. 20 is an exploded view of a another embodiment of the present invention.

FIG. 21 is a perspective view of the embodiment of FIG. 20 shown in an assembled state.

FIG. 22 is an exploded view of an embodiment having variations on the FIG. 20 embodiment.

FIG. 23 is a perspective view of the embodiment of FIG. 22 shown in an assembled state.

FIG. 24 is an exploded view of an embodiment having variations on the FIG. 20 embodiment.

FIG. 25 is an exploded view of an embodiment having variations on the FIG. 20 embodiment.

FIG. 26 is a perspective view of an embodiment of the present invention.

FIG. 27 is a perspective view of an embodiment having variations on the FIG. 26 embodiment.

FIG. 28 shows a perspective view of an embodiment of the present invention.

FIG. 29 is a perspective view of an embodiment having variations on the FIG. 28 embodiment.

FIG. 30 shows a perspective view of an embodiment of the present invention.

FIG. 31 is a perspective view of an embodiment having variations on the FIG. 30 embodiment.

FIG. 32 shows a perspective view of an embodiment of the present invention.

FIG. 33 is a perspective view of an embodiment having variations on the FIG. 32 embodiment.

FIG. 34 is a perspective view of an embodiment of the present invention.

FIG. 35 is a perspective view of an embodiment having variations on the FIG. 34 embodiment.

FIG. 36 is a perspective view of an embodiment of the present invention.

FIG. 37 is a perspective view of an embodiment having variations on the FIG. 36 embodiment.

FIG. 38 is a perspective view of an embodiment having variations on the FIG. 36 embodiment.

FIGS. 39–41 show perspective views of an embodiment of the present invention.

FIG. 42 shows a perspective view of an embodiment of the present invention.

FIGS. 43–45 show perspective views of an embodiment of the present invention.

FIGS. 46–48 show perspective views of an embodiment of the present invention.

FIGS. 49–53 show perspective views of an embodiment of the present invention.

FIGS. 54–56 show perspective views of an embodiment of the present invention.

FIGS. 57 and 58 show a perspective view on an embodiment of a writing implement of the present invention.

FIG. 59 is a fragmentary sectional view illustrating engagement of a rear cap and a barrel body of another embodiment of a pen for receiving eyeglasses according to the invention;

FIG. 60 is a side view of the rear end of another embodiment of the present invention.

FIG. 61 is a partly sectional view of the of embodiment of a pen for receiving eyeglasses according to the invention;

FIG. 62 is a sectional view of an embodiment of a pen for receiving eyeglasses according to the invention; and

FIG. 63 is a sectional view of a front cap and a pen barrel of an embodiment of the invention.

FIG. 64 is a sectional view of a front cap and a pen barrel of an embodiment of the invention.

FIG. 65 is a schematic top view of an embodiment of a pen for receiving eyeglasses according to the invention;

FIG. 66 is a sectional view of the FIG. 65 embodiment, taken along line II–II of FIG. 65;

FIG. 67 is a sectional view of the FIG. 65 embodiment, taken along line III–III of FIG. 65;

3

FIG. 68 is a schematic top view of the first casing half of the FIG. 65 embodiment;

FIGS. 69 and 70 illustrate a pair of foldable eyeglasses in extended and folded states, which can be stowed in the pen of the FIG. 65 embodiment;

FIG. 71 is a perspective view of another embodiment of a pen for receiving eyeglasses according to the present invention;

FIG. 72 is a top view of another embodiment of a pen for receiving eyeglasses according to the present invention;

FIG. 73 is a top view of the FIG. 72 embodiment of a pen for receiving eyeglasses according to the present invention; and

FIG. 74 is a top view of another embodiment of a pen for receiving eyeglasses according to the present invention.

FIGS. 75–78 show another embodiment of folding eyeglasses of the present invention.

FIGS. 79–84 show another embodiment of folding eyeglasses of the present invention.

FIG. 85 shows an embodiment of a hinge suitable for use in the present invention.

DETAILED DESCRIPTION OF THE PREFERRED EMBODIMENT

FIG. 1 shows a writing instrument 10 that incorporates a pivotable writing implement.

The writing instrument is provided with a case 12 including a first end portion 14 and a second end portion 16 that when joined define an enclosed interior space in which an item, such as a pair of eyeglasses can be placed. A writing implement 18 is attached to the first end portion. The writing implement pivotable about a hinge 20 between a writing position (FIG. 2) and a rest position (FIG. 1), in which the implement 18 is against the case. Here, a pin 21 extends through an aperture in the first end portion and the writing implement. When the first end portion is joined to the case, an enclosed interior space is defined, and when the first end portion is removed from the case the interior space can be accessed in order to remove the item from the interior space. See FIG. 3. The second end portion 16 may further be provided with an end wall 22 at the end opposite the writing implement, and the end wall may be integral with the second end portion. Additionally, a time piece may be positioned on the case, such as on the end wall 22. See FIG. 4.

To facilitate the joining of the first end portion 14 and the second end portion 16, one of the first or second end portions 14,16 may be provided with a slightly smaller outside perimeter at its opening relative to the outside perimeter of the other portion, so that it will form an interference fit with the other portion. As shown in FIG. 3, the second end portion 16 is provided with a slightly smaller perimeter 24 relative to the first end portion, but the roles can be reversed.

The writing implement at the first end portion can be a pen, pencil or any other known writing implement. While the present invention has been shown as providing an interior space for retaining glasses, it should be understood that other items may be placed there, including, but not limited to, foods, medicines, thermometers, coins, notes, pocket knives, tire pressure gauges, to name only a few disparate items that evince the breadth of possibilities, which need not be exhausted here.

FIGS. 5, 6, and 7 show a multi-purpose container 30 having, in side-by-side arrangement, a first container portion 32 configured to receive a hand held electronic device, wherein the first container portion is provided with first half

4

34, a second half 36, and a hinge 38 joining the first half and the second half, the second half movable between an open position (FIG. 7) and a closed position (FIGS. 5 and 6), the first container portion 32 having an interior space 40 for receiving a hand held electronic device. The electronic device can be inserted and removed from the container portion by moving the second half between the open position and the closed position.

The multi purpose container 30 is further provided with a second container portion 42 adjacent the first container portion 32. The second container portion 42 is configured to receive a writing instrument 44, the second container portion being open on one side 46, through which the writing instrument can be inserted and removed from the second container portion.

FIGS. 8, 9, and 10 show the multi purpose container 30 of FIGS. 5–7 provided with a gauge to measure a parameter, such as time, temperature, positioning, humidity, barometric pressure, to name but few possibilities. As shown in the figures, the container is provided with a digital timepiece and a thermometer 48 on its depth side 50. In another embodiment, a computational device can be included, such as a calculator.

FIGS. 11, 12, and 13 show the multi purpose container 30 of FIGS. 5–7 provided with a gauge to measure a parameter, such as time, temperature, positioning, humidity, barometric pressure, to name but few possibilities. A computational device, such as a calculator, can also be employed. As shown in the figures, the container is provided with an analog timepiece 54 and a compass 56 on its top side 58

FIGS. 14, 15, and 16 show a container 60 having a first half 62 and a second half 64, the first and second halves each having hinge forming members 66 that are joined together to form a hinge 68, permitting the container to be opened and closed. The halves are constructed of a base 70 and a skirt 72 that extends around the perimeter of the base 70 in a direction perpendicular to the base. The hinge forming members 66 are located on one side of the base. When the container is in the closed position, the skirt of the first half 62 and the skirt of the second half 64 are in an abutting relationship. The hinge forming members 66 on the first and second halves 62, 64 define an open space on the inside of the hinge forming members, in which space a writing instrument, or other object sharing that configuration, can be positioned. This arrangement can be constructed by varying the diameter of one of the hinge forming members so that it fits in the other hinge forming member. The interior space between the first and second halves, hereinafter referred to as the first interior space 74, is sized and configured to retain a pair of eyeglasses, or other objects, including but not limited to notepads calendars, diaries, foods, medicines, maps, storage medium (digital or analog), to name but a few possibilities. The second interior space 76 can house an item configured like a writing instrument, including but not limited to a writing implement such as a pen, pencil, a thermometer, pressure gauge, flashlight, to name but a few possibilities.

FIGS. 17, 18, and 19 show a variation on the embodiment of FIGS. 14–16 by including gauges that measure parameters. Here, the gauges 78, 80 measure time and temperature. It should be understood that any kind of gauge may be employed, including those previously noted here. A computational device may also be placed where the gauge is placed.

FIG. 20 shows an exploded view of yet another embodiment of the present invention, which is a container 82 that,

5

when not subjected to a force sufficient to flip it or turn it, remains in an upright position, or returns thereto. The container has a housing **84** having top **86** and bottom **88** zones, the bottom zone **88** having a rounded surface **90** constituting the bottom of the container. The bottom zone **88** is heavier than the top zone. The bottom zone can be made heavier than the top zone by including a metal weight into the bottom zone **88**, or by constructing the bottom zone to have a density in excess of the density of the top zone. This can be accomplished by selecting the appropriate materials to achieve this result.

When the top and bottom zones are joined together (FIG. **23**), the housing defines an interior space in which at least one item can be stored. In one embodiment, the housing is provided with a top zone that is separable from the bottom zone in order to permit access to the interior space. See FIG. **22**. The top zone can be provided with a conical shape. It should be understood that the top zone can be provided with a lid that can be positioned on the opening, or removed therefrom, in order to access the interior space and/or items stored therein.

Because the bottom of the container is rounded, and heavier than the remainder of the container, the container will, if not subjected to an external force, rest on its bottom, and remain in an upright position. If the container is pushed, it will wobble and then return to its upright position.

In another embodiment, the container is provided with a gauge for measuring a parameter, such as a timepiece **90**, as shown in FIGS. **22–25**. Alternatively, a computational device can be placed where the gauge is placed. In another embodiment, the container is provided with an opening **91** to receive a writing instrument. See FIGS. **22–24**. In another embodiment, a pair of eyeglasses, or other item, can be stored in the container. See FIGS. **20–25**. In another embodiment, the container is provided with compartments **92** for retaining the stored item in place. The compartment **92** may be a slot having circular sidewalls **94** that extend upward in the interior space from the bottom of the container, as shown in FIG. **24**. Alternatively, the compartment **92** can be constructed out of a plurality of slot defining sidewalls **96** that extend upward in the interior space from a bottom of the container. See FIG. **24**.

FIG. **26** shows a container for storing an item such as a pair of eyeglasses and a second container portion for storing an item having the configuration of a writing instrument. The container **100** has a first container portion **102** having a sidewall **103** that defines a first interior space **104**. Container **100** further has a second container portion **106** defining a second interior space that can store a item having the configuration of a writing instrument, the second container portion being located on to the sidewall **103** of the first container portion **102**.

The first container portion has a closure **108** attached to a hinged **10**, which is mounted to the sidewall **103**. The closure **108** is movable between a position closed on the container and an open position permitting access to the interior space.

In a variation on this embodiment shown in FIG. **27**, the closure **108** is provided with a gauge **112** to measure a parameter, which in this case is a timepiece. The time piece **112** is located on the interior facing side of the closure, and so is visible when the closure is in the open position. Alternatively, a computational device can be provided.

FIG. **28** shows another embodiment of the present invention showing a container having first and second portions that has compartments configured to hold eyeglasses and a writing instrument. The container **114** has a first container

6

portion **116** that is a hinged body having a length dimension L. Hinged body has two halves **118**, **120** joined at a hinge **122** which extends in the length dimension. The second container portion **124** for the writing instrument is attached to one of the two halves. The hinged body is movable between a closed position and an open position along the hinge. The first hinged body has end closures **118** at a first and second ends **121**, **123** of the body. When in a closed position, the body defines an interior space in which an item, such as a pair of eyeglasses, can be placed when it is in the closed position.

The second container portion **124** has a wall portion **125** that defines an interior space that can store an item configured like a writing instrument, the second container portion being joined to one of the halves of the hinged body that forms the first container portion.

In a variation of the embodiment shown in FIG. **28**, at least one of the end closures **118** is provided with a gauge **117** for measuring a parameter. FIG. **29** shows a timepiece at one of the end closures. Alternatively, a computational device may be provided.

FIG. **30** shows a container **130** for holding first and second container portions in an adjoining relationship. The container can hold items such as eyeglasses and writing instruments in the first and second container portions.

Container **130** is provided with a body **132** having first and second halves **136**, **138** joined along a hinge **134** that extends in the length dimension L of the container. The first and second halves are movable along the hinge between a closed position and an open position.

Each of the halves are divided into first container forming portion **140** and a second container forming portion **142**. As shown in FIG. **32**, the first and second halves have sidewalls that are partitioned into the first container forming portion and second container forming portion at zone boundary **144**, which is contiguous with the first and second container forming portions **140**, **142**.

Body **132** has end closures **146** at a first and second ends **148** of the body. When the container is in the closed position, the body has first and second interior spaces located in the first and second container portions. That is, the zone boundaries **144** of the first and second container forming portions **140**, **142** enter into an adjacent relationship when the container is in the closed position.

The first container portion is configured to retain a pair of eyeglasses, but any of the other aforementioned items may be stored there. The second container portion is configured to retain a writing instrument, but any of the other aforementioned items may be stored there.

In a variation of the embodiment shown in FIG. **30**, at least one of the end closures **146** is provided with a gauge **149** for measuring a parameter. FIG. **31** shows a timepiece at one of the end closures. Alternatively, a computational device may be provided.

FIGS. **32** and **33** show a container **150** comprised of a body **152** having a length dimension L that is divided in two halves **154**, **156** in a direction that intersects the body. The halves can be joined together to form a closed container, or separated to provide an open container. The halves **154**, **156** further have first and second container portions **158**, **160** in an adjoining relationship that define first and second interior spaces for retaining items placed within the interior spaces. Thus, when the halves are joined together, items can be retained in the first and second container portions.

The first container portion **158** is configured to retain a pair of eyeglasses, but any of the other aforementioned items may

be stored there. The second container portion **160** is configured to retain a writing instrument, but any of the other aforementioned items may be stored there.

In one embodiment, halves **154**, **156** are about equal in length. In another embodiment, the first container portion **158** has a perimeter and the second container portion **160** is located on the perimeter. In another embodiment, the second container portion **160** is provided with an open end. In a variation of the embodiment shown in FIG. **32**, at least one of the end closures **162** is provided with a gauge **164** for measuring a parameter. FIG. **33** shows a timepiece at one of the end closures. Alternatively, a computational device may be provided.

FIG. **34** shows a combined container and writing instrument **170** which has a hinged body **172** movable between a closed position and an open position. The hinged body **172** has a length dimension L. The hinged body **172** is constructed of two halves **174**, **176** joined at the first hinge **178**. Hinge **178** extends in the length dimension L. The writing implement **180** is attached to one of the two halves by second hinge **182**. The writing implement **180** is movable between a writing position and an open position. The body **172** defines an interior space in which an item can be placed when the body is in the closed position. The interior space is configured to retain a pair of eyeglasses, or another item, including those previously mentioned, in the interior space.

In another embodiment, the body is provided with a second end closure **184**, which can be of a pair of semicircles **186**, each of which is attached to one of the halves. In another embodiment, the writing implement is provided with a gauge **188**, such as a timepiece that is positioned to be visible when the writing implement is in the open position. That is, the writing implement is provided with a timepiece, or other gauge to measure a parameter, on its rear side. See FIG. **35**. Alternatively, a computational device may be provided.

FIGS. **36–38** show a writing instrument **190** having a body **192** that defines an interior space in which an item, such as a pair of eyeglasses, or any other item, including those previously noted, can be placed. A writing implement **194** is positioned at the a first end **196** of the body **192**, and is attached to the body **192** by a hinge **198**. The writing implement is pivotable **194** between a writing position and an open position allowing for access to the container. In one embodiment, a gauge **200** to measure a parameter is attached to the end of the container. The gauge can be a timepiece, or any of the other gauges previously described. Alternatively, a computational device may be provided.

In another embodiment shown in FIG. **37**, the gauge **200** is positioned on the inward facing side of the writing implement **194**. In yet another embodiment shown in FIG. **38**, the writing implement is positioned on an end closure **202** on the end opposite the writing implement. **194**. The end closure is attached to the body by a hinge **204**. Alternatively, a computational device may be provided.

It should be understood that embodiments combining features shown in FIGS. **32**, **33** and **34–38** are possible. For example, the container can be provided with a body **152** having a length dimension L that is divided in two halves **154**, **156** in a direction that intersects the body. The halves can be joined together to form a closed container, or separated to provide an open container. The container can also be provided with a writing implement positioned at the a first end of the body, and attached to the body by a hinge. The writing implement is pivotable between a writing position and an open position providing access to the container. In

another embodiment, a gauge **200** to measure a parameter is attached to the end of the container, facing inward or outward, as previously described. The gauge can be a timepiece, or any of the other gauges previously described. Alternatively, a computational device may be provided.

FIGS. **39–41** show a writing instrument **210** having an off-axis writing implement **212** and removable first end **214** that allows for access to an interior space in which items can be stored. The writing instrument **210** is provided with a barrel **216** having an axis extending in the length direction L of the writing instrument. The barrel sidewalls **218** define an interior space for retaining and storing an item.

The writing implement is positioned off of the axis of the barrel, that is, it may be parallel to, but not the axis. At the first end of the barrel, an opening **220** is provided in the first end **214** in communication with the interior space.

A removable first end **214** is adapted to seal the opening **220** when it is placed on the first end of the barrel **216**. The removable first end **214** can be removed from the barrel **216** to permit access to the opening **220**, and the interior space. As shown in FIGS. **39–41**, the removable first end **214** may be a cap **215** having a base **222** and a skirt **224** attached to the base **222** that, when joined to the barrel **216**, seals the opening **220** from the exterior environment and encloses the writing implement **212** within the cap.

The interior space is configured to hold a pair of eyeglasses, or any of the other items previously mentioned.

In an alternative embodiment shown in FIG. **42**, the removable first end **214** is a plug received over the opening, or within the opening. The tip **21** of the writing implement **212** is received within a recess **217** in the removable first end **214** when it is positioned within or over the opening.

FIG. **42** shows a writing instrument that is provided with a mirror **219**. The mirror may be positioned near the tip **211** of the writing implement **212**, or the mirror may cover the predominant portion of a barrel side. Although FIG. **42** shows a first end having a fingernail shaped housing in which the writing implement **212** is positioned, it should be understood that the other configurations are possible.

In yet a further embodiment of the invention, a gauge for measuring a parameter, such as a timepiece **228**, is provided on one of the ends of the writing instrument. It can be provided on the removable first end **214** (FIG. **39**, **40**) or the second end **225** (FIG. **41**). Alternatively, a computational device may be provided.

FIGS. **43**, **44**, and **45** show a variation on the embodiments of FIGS. **39**, **40**, and **41** wherein the predominant portion of interior space is associated with the removable first end **214**. In FIGS. **39**, **40**, and **41**, the predominant portion of the interior space is associated with the barrel **216**.

In yet a further embodiment, shown in FIGS. **46**, **47**, and **48**, the writing implement **212** is attached to the barrel **216** by a hinge **230**. The writing implement **212** is movable from an open position to a closed position. The writing implement **212** has a rear surface **232** that seals the opening **222** of the barrel when the writing implement is in the closed position.

FIG. **49** shows a folding eyeglass frame **240** in which the glasses, when in the open position (FIG. **49**) are configured to be worn in the conventional manner, and a closed position (FIG. **54**) in which the lenses and all or a substantial portion of the frame are enclosed within clam shell like portions **242** of the frame **240** that serve as the ear rest portions of the arms **244**. When in the folded the state, it is not apparent that the resulting object, which resembles a clam, contains a pair of glasses. The compact form the glasses take, when folded, provides apparent space saving benefits.

The glasses are provided with a front frame **246** including a pair of lens retaining portions joined together by a hinged bridge **248**. The hinged bridge is constructed of two hinge forming members **249**, each of which extends from the inward side of the lens retaining members **250**. The hinge forming members are provided with apertures which are placed in alignment with each other and joined together by a screw, pin, bolt, or other known devices for joining a hinge. The glasses can be folded along the hinge, as shown in FIGS. **52–54**.

Arms **244** are attached to the outward sides of the lens retaining members **250** at hinges **251** in same manner as described with respect to the joining the hinge forming members at the bridge. The hinged arms can be moved outward, in a configuration in which the glasses can be worn by the user, or moved inwardly, towards the lens retaining members.

The arms are constructed of a first relatively thin portion **252** that extends from the hinges **251**. Concave shaped ear rests **254** are slidably mounted over the relatively thin portions **252**. The concave shaped ear rests **254** have an open face **255** in the direction of the user's head.

After wearing the glasses, the user can fold them into a compact, space saving form, more easily stored than the unfolded form. The user slides the ear rests forward over the relatively thin portions of the arm (FIG. **51**), folds the glasses inward at the hinges **251** so that the lens retaining members approach each other and eventually abut each other (FIG. **52**), and then folds the concave shaped ear rests **254** over the lens retaining members on the other side of the glasses (FIGS. **53** and **54**). In this folded state, the edges **257** of the ear rests **254** abut each other, and the lens retaining members and other portions of the frame are enclosed within the ear rests.

FIG. **55** shows a container **270** for storing folding eyeglasses in a container that is provided with a cover portion **272**, a base portion **274**, and a gauge **278** for measuring a parameter, such as a timepiece or any of the others previously noted. Alternatively, a computational device may be provided. The gauge is positioned on the face of the cover portion **272**. The cover portion **272** is attached to the base portion by a hinge **276**. An item, such as a pair of folding eyeglasses, can be stored in the interior container space, and enclosed there when the cover is closed. Any of the other previously mentioned items can be stored there.

FIG. **56** shows a variation on the previous embodiment. Here, the timepiece **278** is positioned on the interior face **272** of the cover, and is visible only when the cover is in the open position.

The container can take any known shape. Exemplary are the square and rounded shapes shown in FIGS. **55**, **56**, and **57**.

FIGS. **58** and **59** show a suitable writing implement **400** that can be used in several of the embodiments described herein. The writing implement includes and openable front cap and writing tip **402**. The front cap includes a hollow rotary knob **404** and connecting element **406** that may be used to close an end of the container or barrel. The rotary knob **404** and connecting element **406** are interengaged so that the rotary knob can rotate relative to the connecting element **406**. The connecting element **406** has a front end formed with a cylindrical tip mounting portion **408**. The tip mounting portion **408** has an inner surface formed with two opposed substantially trapezoidal projections **410** such that two substantially trapezoidal recesses **412** are defined between the projections **410**. Each projection **410** has a front

end surface formed with a limiting depressed portion **414**. The writing tip **402** has a front end portion fitted with a spring **416** for biasing the writing tip **402** to a retracted position, that is, retracted within the rotary knob **404**. Further, the writing tip **402** has a rear end portion provided with two opposed, substantially triangular abutting protrusions **418** that fit into recesses **410**. The connecting element **406** can be press fitted within the opening in the barrel or container. Rotation of the rotary knob **404** relative to the barrel or container against the biasing action of the spring, the writing tip **402** will rotate relative to the connecting element **406**, while the abutting protrusions **418** are confined by the limiting depressed portions **414**. At this time, the writing tip **402** will extend from a front end of the rotary knob **404**, which is the write position. The rotary knob may be turned at any time to cause the abutting protrusions **418** to displace to the recesses **412** by virtue of the biasing action of the spring **416** so that the writing tip **402** retracts into the rotary knob **404**.

When it is desired to stow the eyeglasses in the pen barrel **422** of the pen **424**, it is only necessary to remove the writing tip unit **400** from the pen barrel **422** to allow insertion of the eyeglasses **420** via the front end **426** into the barrel body **428**. As such, the user may carry the pen around with the eyeglasses stowed therein, and may remove the eyeglasses stowed therein, and may remove the eyeglasses from the pen in a convenient manner any time.

Referring to FIG. **59**, in another embodiment, an outer surface of the rear cap **430** is formed with an annular groove **432**. The barrel body **428** is sleeved on the rear cap **430**, and has an inner surface formed with an annular projection **434** that engages fittingly the annular groove **432** in the rear cap **430**, thereby retaining the rear cap **430** on the barrel body **428**.

With reference to FIG. **60**, in another embodiment, the rear cap **430** may be formed integrally with the barrel body **428**.

Referring to FIG. **61**, another embodiment of a pen **502** according to the present invention is shown to include a pen barrel **21** and a writing tip unit **522**. A fixed rear cap **511** is mounted fixedly on and closes a rear end of the pen barrel **521**. This embodiment is different from the a previous embodiment in that a rear end of the rear cap **511** extends rearwardly to form a retaining block **512**, and a flashlight **523** is mounted fixedly on the retaining block **512** in such a manner that the retaining block **212** is press fitted withing a blind hole **531** in the flashlight **523**. Hence, the pen **502** may have an additional lighting function. It should be appreciated that since the flashlight **523** is provided on the rear cap **511** that is mounted fixedly on the rear end of the pen barrel **502**, the structure of the pen **502** is relatively strong.

Referring to FIG. **62**, another embodiment of a pen **300** according to the present invention is shown to include a pen barrel **308** and a writing tip unit **320**. Likewise, the writing tip unit **320** includes an openable front cap constituted by a rotary knob **321** and a connecting block **322**, and a writing tip (not shown). The pen barrel **308** has a barrel body **310** with an open front end **311** and a rear cap **312** integrally formed with the barrel body **310**. This embodiment is different from the first preferred embodiment in that the writing tip unit **320** is formed with a retaining edge **324**, whereas the pen barrel **308** is formed with a retaining edge **324**, whereas the pen barrel **308** is formed with a retaining edge **313** that engages the retaining edge **324** of the writing tip unit **320**, thereby positioning the writing tip unit **320** on the pen barrel **308**. In addition, the writing tip unit **320** is

mounted rotatably on the pen barrel 308 via a pivot portion 323 and is rotatable about an axis, which is perpendicular to the barrel body 310, for opening and closing the front end 311 of the barrel body 310. In this embodiment, since the writing tip unit 320 is mounted pivotally on the pen barrel 308, it remains attached to the pen barrel 308, it remains attached to the pen barrel 308 when lifted to permit access to the interior of the barrel body 310.

With reference to FIG. 63, another embodiment of a pen 600 according to the present invention is shown to include a pen barrel 602 with a barrel body 610 and an open front end 611, and an openable front cap 620. This embodiment differs from the fifth preferred embodiment in that the front cap 620 has a rear end surface with an outer peripheral portion formed with a pivot hole 621, and an inner surface formed with two parallel annular grooves 622 in communication with the pivot hole 621. The barrel body 610 has a front end surface which includes an axially extending pivot pin 630 that extends integrally and forwardly therefrom, and that engages fittingly the pivot hole 630 in the front cap 620. The pivot pin 613 has an outer surface formed with two annular projections 614 that engage respectively and fittingly the annular grooves 622 in the front cap 620, whereby the front cap 620 can rotate about the pivot pin 613 along an axis that is parallel to the barrel body 610 for opening and closing of the front end 611 of the barrel body 610. In order to secure the front cap 620 on the front end 611 of the barrel body 610, the front cap 620 on the front end 611 of the barrel body 610, the front cap 620 on the front end 611 of the barrel body 610, the front cap 620 is provided with a boss 624 projecting therefrom and distal to the pivot pin hole 621, and the front end 611 of the pen barrel 602 is provided with an indentation 615 for engaging the boss 624 when the front cap 620 on the front end 611 of the barrel body 610, the front cap 620 is rotated to a closed position. In addition, and axially extending cylindrical hole 612 is formed in the barrel body 610 to extend through the pivot pin 613. The front cap 620 further includes a through tip hole 623 that is communicated with the pivot pin hole 621 such that a writing instrument 625, such as a refill, can be accommodated in the hole 612 to extend through the pivot pin hole 621 and to project from the tip hole 623 for writing purposes. Compared with the above-described preferred embodiments, the writing instrument 625 is accommodated in both the barrel body 610 and the front cap 620, and is of a longer length to make possible a longer period of writing.

Referring to FIG. 64, in another embodiment, a front section of the writing instrument 625' may be configured to pass through the pivot hole 621' and a bent through tip hole 623' of the front cap 62'.

While the present invention has been described in connection with what is considered the most practical and preferred embodiments, it is understood that this invention is not limited to the disclosed embodiments but is intended to cover various arrangements included within the spirit and scope of the broadest interpretation so as to encompass all such modifications and equivalent arrangements.

Referring to FIGS. 65 to 68, the first preferred embodiment of a pen 1000 according to the present invention is shown to comprise a casing 1010 and a writing tip 1041. The casing 1010 includes an elongated first casing half 1002, and a second casing half 1003. The first casing half 1002 defines an interior chamber 1011 adapted to receive a pair of eyeglasses 1012, such as that shown in FIGS. 69 and 70, and has a front end 1021, a rear end 1022, and an opening 1241 that is formed between the front and rear ends 1021, 1022, and that is adapted to permit movement of the eyeglasses

1012 into the interior chamber 1011 therethrough. The first casing half 1002 further has a bowl-shaped bottom 1023 formed integrally with two curved partitions 1231 to confine the eyeglasses 1012 therebetween. In addition, the first casing half 1002 has an annular top frame 1024 which is mounted on the bottom 1023 by means of a bolt 1025, and which defines the opening 1241 therein. A recess 1243 is formed in the top frame 1024. The bottom 1023 is formed with two aligned integral abutment blocks 1232, whereas the top frame 1024 is formed with two inverted U-shaped integral abutment legs 1242 (see FIG. 3). The abutment legs 1242 are respectively fixed on the abutment blocks 1232. Furthermore, the bottom 1023 of the first casing half 2 has an L-shaped integral abutment plate 1234 that is adapted to permit abutment of a rear end of a writing instrument 1004 thereagainst. The writing instrument 1004 is provided with the above-mentioned writing tip 1041 and, in this embodiment, is a ball-point pen. Certainly, it may also be a pencil or a fountain pen. A front end notch 1233 is formed in the front end 21 of the first casing half 1002 to permit extension of the writing tip 1041 from the first casing half 1002 therethrough. The bottom 1023 further has two parallel integral clamping plates 1235 that are provided between the abutment plate 1234 and the notch 233 for clamping the writing instrument 4 therebetween. The eyeglasses 1012 (see FIGS. 69 and 70) and the writing instrument 1004 are disposed on two sides of the partitions 1231.

The second casing half 1003, in this embodiment, includes a cover plate 1031 shaped to complement the opening 1241. The cover plate 1031 has a mounting side (3M) and a free side (3F). The mounting side (3M) is formed with two aligned integral pivot pins 1032 which extend outwardly from two opposite sides thereof, and which extend into the pivot holes between the abutment legs 1242 and the abutment blocks 1232. As such, the mounting side (3M) is mounted pivotally on the first casing half 1002 between the front and rear ends 1021, 1022. The free side (3F) rests on the first casing half 1002 so that the cover plate 1031 covers the opening 1241 in the first casing half 1002. The free side (3F) has a tongue 1033 extending integrally therefrom to engage the recess 1243 in the top frame 1024 such that the free side (3F) can be retained releasably on the top frame 1024. The tongue 1033 is removable forcibly from the recess 1043 such that the free side (3F) is rotatable away from the opening 1241 to permit passage of the eyeglasses 1012 through the opening 1241.

Referring to FIGS. 69 and 70, the eyeglasses 1012 in this embodiment are preferably of a foldable type having a pair of foldable lenses 1121 and a pair of foldable temples 1122 such that they can be folded compactly for placement in the interior chamber 11 (see FIG. 66).

FIG. 71 shows the second preferred embodiment of the present invention. A pen 1005 is shown to include an elongated casing 1050 having a wavy or guard-like contour, and a writing instrument 1053 with a writing tip 1531. In this embodiment, the writing instrument 1053 is a ball-point pen. The casing 1050 includes symmetrically shaped first and second casing halves 1051, 1052. The first casing half 1051 defines an interior chamber 513 adapted to receive a pair of eyeglasses 501 of a non-foldable type, and has a front and 511, a rear and 1512, and an opening 1515 formed between the front and rear ends 1511, 1512 and defined by a peripheral wall 1514 to permit access to the interior chamber 1513. The front end 1511 is formed with a notch 1516 for extension of the writing tip 1531 therethrough. An abutment plate 1518 is provided integrally on a bottom of the first casing half 1051 for abutment of a rear end of the writing

instrument **1053** thereagainst. Two parallel integral clamping plates **1517** are disposed between the abutment plate **1518** and the notch **1516** for clamping the writing instrument **1053** therebetween. The second casing half **1052** is mounted pivotally to one side of the first casing half **1051**, and is retained releasably on the other side thereof such that it is rotatable to permit or close access to the opening **1515**.

FIG. **72** shows a pen **1006** of another embodiment of the present invention, which includes a first casing half **1061** and a writing instrument **1062**. This embodiment differs from the first embodiment in that a rear end of the first casing half **1061** is provided with a flashlight **1063** mounted removably thereon. Besides, the writing tip **1622** is mounted in, and extends from a cap **1621** that engages threadedly a front end of the first casing half **1061**.

In another embodiment as shown in FIG. **73**, the rear end of the first casing half **1061** of the pen **1006** is provided with a pen-track erasing member **1064** mounted removably thereon. The erasing member **2064** may be an eraser, or an applicator of a correction fluid holder (not shown).

In the fifth preferred embodiment as shown in FIG. **74**, the rear end of the first casing half **1061** of the pen is provided with a perfume container **1065** mounted removably thereon.

From the foregoing, it can be appreciated that since access to the interior of the pen is from a lateral side of the pen, instead of from the rear end, arrangement of an additional functional accessory, such as a flashlight, eraser, etc., at the rear end of the pen is easier in terms of manufacture and assembly. Furthermore, the pen can assume a shape other than the conventional cylindrical shape so as to provide more variety in design choices. For instance, in the second preferred embodiment, the pen **5** has an interesting wavy or gourd-like shape.

FIGS. **75–78** show a folding eyeglass frame **240** in which the glasses, when in the open position (FIG. **75**) are configured to be worn in the conventional manner, and a closed position (FIG. **78**) in which the lenses and all or a substantial portion of the frame are enclosed within clam shell like portions **242** of the frame **240** that serve as the ear rest portions of the arms **244**. When in the folded state, it is not apparent that the resulting object, which resembles a clam, contains a pair of glasses. The compact form the glasses take, when folded, provides apparent space saving benefits.

The glasses are provided with a front frame **246** including a pair of lens retaining members **250** joined together by a hinged bridge **248**. The hinged bridge is constructed of two hinge forming members **249**, each of which extends from the inward side of the lens retaining members **250**. The hinge forming members are provided with apertures which are placed in alignment with each other and joined together by a screw, pin, bolt, or other known devices for joining a hinge. The glasses can be folded along the hinge, as shown in FIGS. **76–78**. Here, during folding, the hinged bridge **248** is positioned in the space where the user's head would be when in the open position of FIG. **75**. This is in distinction to the embodiment of FIGS. **49–53** where, during folding, the lens retaining members **250** are positioned in the space where the user's head would be when in the open position of FIG. **49**. In other words, lens retaining members fold inward in FIGS. **49–53**. They fold outward in the embodiment of FIGS. **75–78**. A clasp **221** can be provided on the case to keep the clam shell like portions **242** in a closed position.

FIGS. **79–84** shows another embodiment of folding eyeglasses having case members having the components afore-

described: a front frame **246**, lens retaining members **250** joined together by a hinged bridge **248**, clam shell like portions **242** of the frame **240** that serve as the ear rest portions of the arms **244**. The hinged bridge is constructed of two hinge forming members **249**, arms **244** attached to the outward sides of the lens retaining members **250** at hinges **251**, the arms being constructed of a first relatively thin portion **252** that extends from the hinges **251**, and concave shaped ear rests **254** are slidably mounted over the relatively thin portions **252**. The concave shaped ear rests **254** have an open face **255** in the direction of the user's head.

FIG. **85** shows the hinge **251**. A spring **233** constructed of resilient and flexible material is attached to an end of the relatively thin portions **252** of the arms **244**. The spring has a two wires **231** extending in the direction of the arm, and a portion **233** attached to each wire that extends substantially perpendicular to the direction of the wires. The wires are fitted into hinges **251**, which are provided with a slot **235** having a slot portion **237** extending around the periphery and a vertical slot portion **239** on the front side and rear side of the hinge. By squeezing the wires, the arms can be pivoted through the slot **235**. The arms lock into either a front position or rear position when the wires enter the vertical slot portion **239** position, where they expand. When in the wear position, the arms are on the back side of the lens retaining members **250** (FIG. **79**).

To fold the glasses, the arms **244** are moved to the front position (FIG. **80**) and folded inward at the hinged bridge **248**. The concave shaped ear rests are slid up towards hinge **251**, and the arms **244** are brought closer to the lens retaining member **251** (FIG. **81**). In this arrangement, the open face **255** of the concave shaped ear rests **254** face outward (FIG. **82**). The concave shaped ear rests are then rotated to encase the lenses. The concave shaped ear rests can be made of a durable flexible plastic material that facilitates the rotating action.

While the present invention has been described in connection with particular embodiments, it is understood that this invention is not limited to the disclosed embodiments but is intended to cover various arrangements included within the spirit and scope of the broadest interpretation so as to encompass all such modifications and equivalent arrangements.

I claim:

1. A folding eyeglass frame comprised of a front frame including a pair of lens retaining members joined together by a bridge provided with a hinge, arms movably mounted on sides of the front frame, the arms being movable between a configuration in which the arms are positioned to be received over the ears of an eyeglass wearer and a configuration in which the arms are moved towards the lens retaining members, and ear rests provided with a concave shape that are slidably mounted over the arms and slide thereover between an extended position and a position that overlaps the arms.

2. The folding eyeglass frame of claim **1** further comprised of lenses retained within the lens retaining members.

3. The folding eyeglass frame of claim **1** in a folded state wherein the lens retaining members are retained within the ear rests.

4. The folding eyeglass frame of claim **1** wherein the hinged bridge folds outward in relation to the wearer's face.

5. The folding eyeglass frame of claim **1** wherein the hinged bridge folds inward in relation to the wearer's face.

6. The folding eyeglass frame of claim **1** wherein the ear rests are provided with a clasp to keep the ear rests, when closed, in a closed position.

15

7. A folded pair of eyeglasses in which a concave shaped ear rests encase the arms and the lens retaining members.

8. A folding eyeglass frame comprised of a front frame including a pair of lens retaining portions joined together by a bridge provided with a hinge, arms movably mounted on sides of the front frame, the arms being movable between a configuration in which the arms are positioned to be received over the ears or temporal portions of an eyeglass wearer and a configuration in which the arms are moved towards the lens retaining members, and ear rests provided with a concave shape that are slidably mounted over the arms and slide thereover between an extended position and a position that overlaps the arms.

9. A folding eyeglass frame comprised of a front frame including a pair of lens retaining portions joined together by a bridge provided with a hinge, arms movably mounted on sides of the front frame by hinges connecting the frame and the arms, the hinges having a first docking position in communication with a second docking position via a path traversed by the arms, wherein the first docking position is

16

substantially 180° apart from the second docking position, the arms being movable along the path between a configuration in which the arms are positioned to be received over the ears or temporal portions of an eyeglass wearer, a position where the arms are in front of the lens retaining portions that is substantially 180° thereto, and wherein the arms are further movable into a configuration in which the arms are moved towards the lens retaining members, the glasses further provided with concave-shaped ear rests that are slidably mounted over the arms between an extended position and a position that overlaps the arms.

10. The folding eyeglass frame of claim 9 wherein the first and second docking positions are vertical slots which receive flexible attachment wires that extend from the arms.

11. The folding eyeglass frame of claim 9 wherein the ear rests can be rotated from a first outward facing position to a second inward facing position.

* * * * *